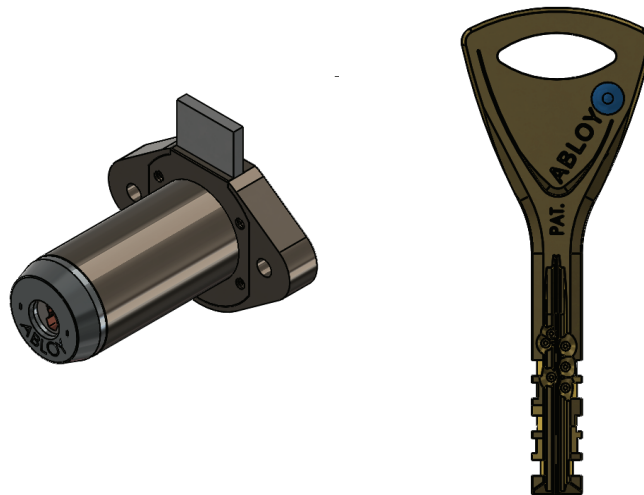


Abloy locks by BOA Security Technologies are available in a wide variety of standard sizes and functions, along with custom products to meet your specific needs. Locks can be keyed different, keyed alike, or master keyed. As a standard BOA offers the Abloy Protec Keyway. Abloy Exec, Protec2, & Sentry Keyways call for availability.

Abloy Protec Features*:

- Patented rotating disc mechanism.
- No Springs, pins, or other parts to wear out.
- Unique disc blocking system DBS™ by return bars.
- Smooth, durable, and reliable operation that is resistant to dirt and freezing.
- New cylinder construction makes Abloy Protec virtually pickproof.
- Superior master-keying possibilities.
- Meets or exceeds international standards for high security including UL 437 and EN 1303.



*Product features may vary for alternative keyways Abloy Exec, Protec2, & Sentry