

Abloy Cam Lock

As a standard BOA offers the Abloy Protec Keyway
Abloy Exec, Protec2, & Sentry Keyways call for availability

Part Number

13-CL- **BL** - **R** - **D** -

C- **KO** - **M** - **F** - **C**

BARREL LENGTH **BL**

2 – 7/8" (22.2mm)

3 – 1-1/8" (28.6mm)

ROTATION **R**

90 – 90° Right

180 – 180° Right

DIRECTION **D**

RH – Right Hand

LH – Left Hand

KEYED OPTION **KO**

A – Keyed Alike

D – Keyed Different

MASTER **M**

N – Non-Master

M – Single Level Master

FINISH **F**

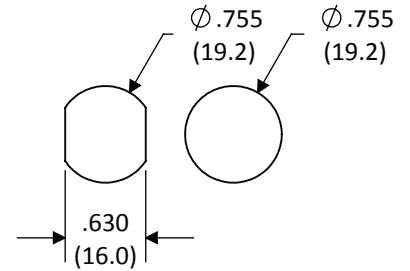
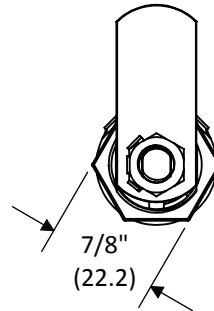
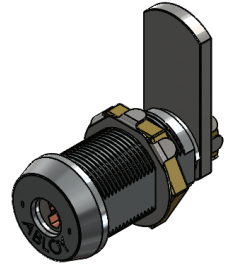
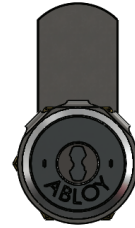
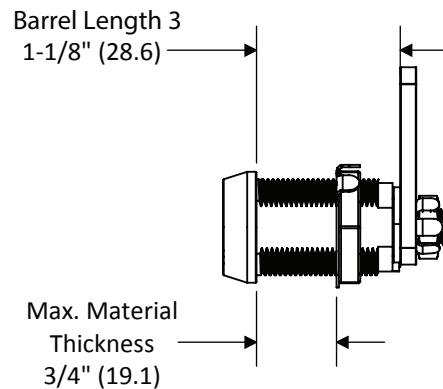
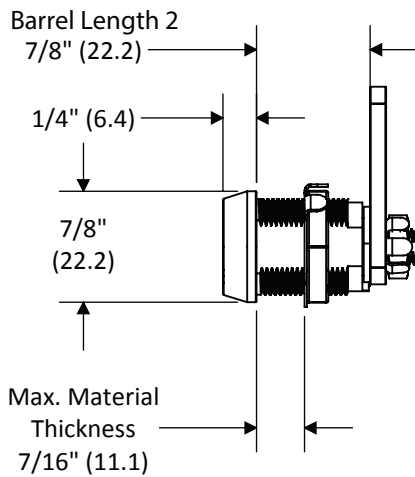
PC – Polished Chrome (Standard)

SC – Satin Chrome (US26D)

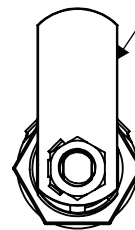
CF – Custom Finish (See Finish Page)

CAM **C**

See CAM Page for options



NOTE: If installing into a round hole use a Double-D mounting plate to keep the lock from spinning!

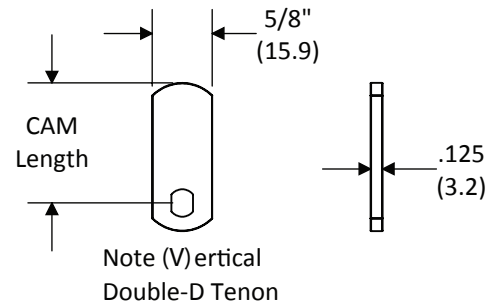


Note when selecting a CAM the threaded tail on this lock has a vertical tenon. Using "V" designation CAM's will allow for the locked at 12 o'clock orientation shown.

Package includes parts for 90° and 180° rotation.

All dimensions are nominal. For best fit call for a sample.
Dual-Dimensions in parentheses are in millimeter (mm).

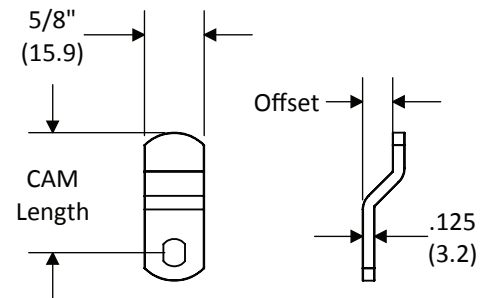
| Straight Flat CAM | |
|-------------------|------------------|
| Part # | CAM Length |
| 00-CAM-0750 | 0.750" (19.1 mm) |
| 00-CAM-1250 | 1.250" (31.8 mm) |
| 00-CAM-1750 | 1.750" (44.5mm) |
| 00-CAM-2000 | 2.000" (50.8 mm) |



Note (H)orizontal Double-D Tenon

| Offset CAM | | |
|------------------|------------------|------------------|
| Part # | CAM Length | Offset |
| 00-CAM-1250X0313 | 1.250" (31.8 mm) | 0.3125" (7.9 mm) |
| 00-CAM-2000X0313 | 2.000" (50.8 mm) | 0.3125" (7.9 mm) |

Note: All CAMs are sold as a set of 2 CAMs containing both Vertical and Horizontal Tenons.



Note (V)ertical Double-D Tenon



Note (H)orizontal Double-D Tenon

**Custom sizes available.
Call for quote and details.**

All dimensions are nominal. For best fit call for a sample.
Dual-Dimensions in parentheses are in millimeter (mm).