

## Part Number

11-CL- **BL** - **R** - **P** -

**KO** - **M** - **F** - **C**

### BARREL LENGTH **BL**

- 1** – 5/8" (15.9mm)
- 2** – 7/8" (22.2mm)
- 3** – 1-1/8" (28.6mm)

### ROTATION **R**

- 90** – 90° Right
- 180** – 180° Right  
(Call for info on Left-hand rotation)

### KEY PULLS **P**

- C** – Captive Key Retaining  
(90° Rotation Only)
- N** – Non-Captive 2 Key Pulls  
(180° Rotation Only)

### KEYED OPTION **KO**

- A** – Keyed Alike
- D** – Keyed Different

### MASTER **M**

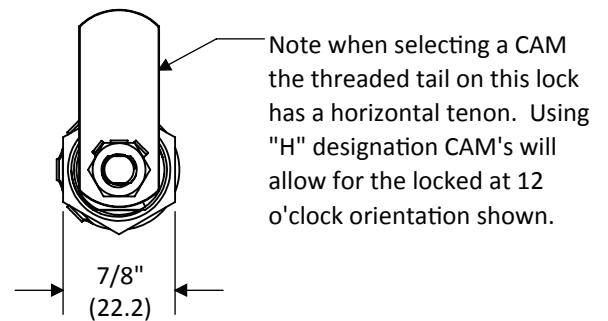
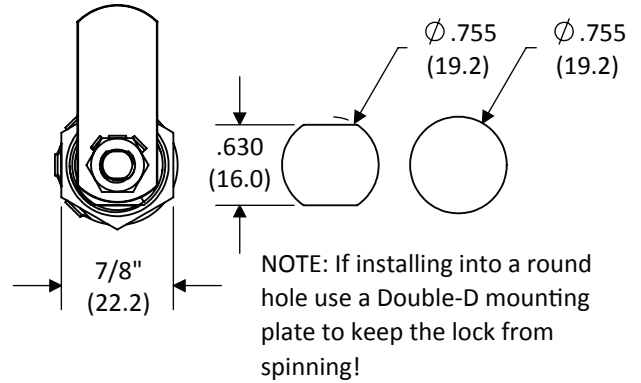
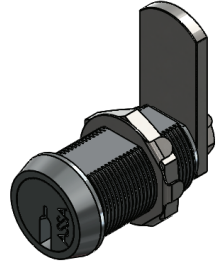
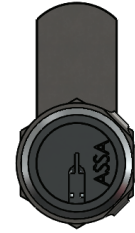
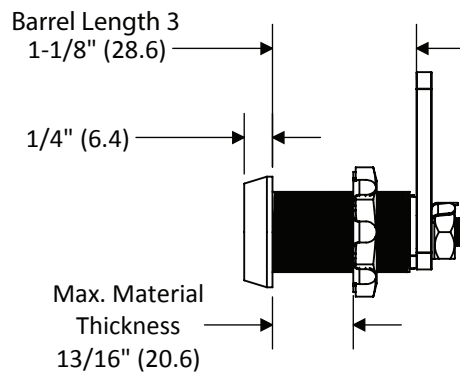
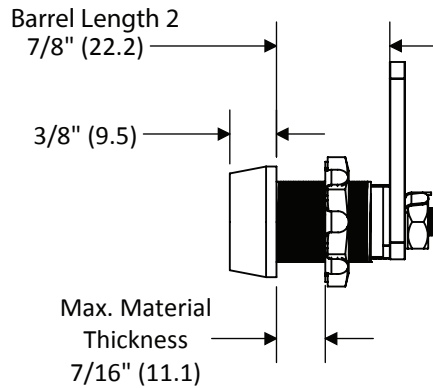
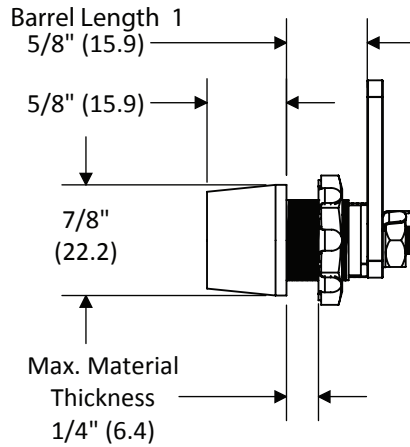
- N** – Non-Master
- M** – Single Level Master

### FINISH **F**

- PC** – Polished Chrome (Standard)
- SC** – Satin Chrome (US26D)
- CF** – Custom Finish (See Finish Page)

### CAM **C**

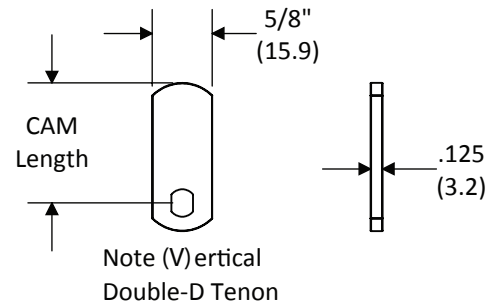
See CAM Page for options



**Package includes parts for 90° and 180° rotation.**

All dimensions are nominal. For best fit call for a sample.  
Dual-Dimensions in parentheses are in millimeter (mm).

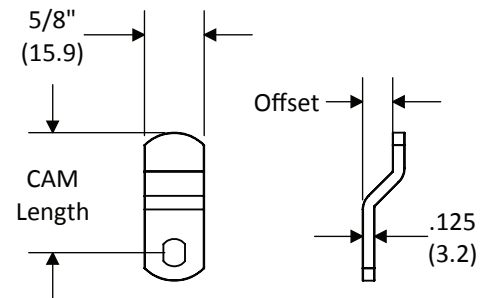
Straight Flat CAM	
Part #	CAM Length
00-CAM-0750	0.750" (19.1 mm)
00-CAM-1250	1.250" (31.8 mm)
00-CAM-1750	1.750" (44.5mm)
00-CAM-2000	2.000" (50.8 mm)



Note (H)orizontal Double-D Tenon

Offset CAM		
Part #	CAM Length	Offset
00-CAM-1250X0313	1.250" (31.8 mm)	0.3125" (7.9 mm)
00-CAM-2000X0313	2.000" (50.8 mm)	0.3125" (7.9 mm)

Note: All CAMs are sold as a set of 2 CAMs containing both Vertical and Horizontal Tenons.



Note (H)orizontal Double-D Tenon

**Custom sizes available.  
Call for quote and details.**

All dimensions are nominal. For best fit call for a sample.  
Dual-Dimensions in parentheses are in millimeter (mm).