



NATIONAL FIELD SERVICE PROVIDER

SMALL FORMAT INTERCHANGEABLE CORE (SFIC) LOCKS JANUARY 2026

BOA SECURITY TECHNOLOGIES, INC.

Located in Huntington, New York, we originally established our business in 1997 under the name of BOA Handcuff Company, Inc. At that time our business focus was solely our patented High Security Handcuffs for Correctional Facilities worldwide. In 2014 we rebranded our company and began competing for business in the area we all knew best; Retail Cabinet and Showcase Locks. However, we are much more than just a manufacturer, distributor or service provider. We are integrators. We find the best product or mix of products to find solutions for our customers. We take pride in what we do and who we do it for. We do not work on excessive margins as many of our competitors. We work on smaller margins, do a great job and have built our business accordingly. We service some of the best and biggest retailers and correctional facilities in the world and would be proud to add you to our list of happy clients.

WHAT:

Specialized Manufacturer, Distributor and Field Service Provider of Locks used by Retailers for both their showcases as well as interior and perimeter doors.

WHY:

We will save you money and ensure your security via a diversified vendor base with equivalent if not better products and services.

WHERE:

BOA services our clients all through the United States and Canada.

WHEN:

Typical lead times for orders are 7-10 days after receipt of order. Typical response times to “request for service” are within 24 hours. If you require faster service, just tell us so.

Ramp up Time for transferring business to BOA from current vendor is 45 days for BOA to prepare component inventory to meet your immediate needs.

HOW:

Utilizing our extensive inventory of components (either manufactured by us or simply distributed by us), we provide showcase locks and door hardware that meet your specific needs for plug and play replacement or new installations. In addition, our Field Service Tech’s are ready to go at a moment’s notice anywhere throughout the U.S. and Canada. Just send us an email and we will take the issue off your plate.

GENERAL INFORMATION

Standard Plating Finish

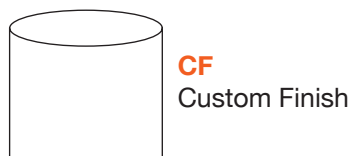


Special Plating Finishes

(Extended lead-time and plating lot charges may apply)



Custom Plating Finish



DELIVERY:

At BOA, we assemble every lock to order and strive to meet your requested in-house date. If we cannot meet your requested date, we will advise you within 24-hours of receiving your order. Our standard lead time is to ship within 10-days after receipt of your order. Rush orders and emergency services are available.

BOA's large component inventory and assemble-to-order factory enables you to order locks keyed alike, keyed differently or master keyed in groups using thousands of key combinations. All keys are now sold separately.

PLATING:

Our standard plating finish is either Brushed or Polished Chrome; depending upon the specific product line being ordered. A wide range of special plating finishes are also available; including Satin Nickel, Satin Brass, Antique Bronze, Matte Black and Custom Finishes to match your showcase hardware. Please note: Extended lead-time and plating lot charges may apply to Special and Custom finishes. Please call us for details.

**Finish color may vary based on material*

KEY CONTROL:

BOA's standard operating procedure is to request your end-user name and exact location. This enables us to maintain your key plans by store, retail department, showcase/cabinets, or office. We maintain a historical database of keying records. This gives you the ability to match key numbers of previous orders.

KEY RETAINING VS. NON-KEY RETAINING LOCK FUNCTION:

Standard high security lock operation is Key Retaining (Captive), which means that the operating key can be removed from the lock in the locked position. For lower security situations, Non-Captive key operation is the standard. This means the key is removable in both the locked and unlocked position.

NOTE: Cores are sold separately from housings.



Cores are available in keyed alike, keyed different, master keyed, grand master keyed and great grand master keyed configurations. Available in A2 Key systems built and maintained by BOA.

PLATING FINISH: 626/26D Brushed Satin Chrome
(custom finishes available)

Unrestricted Keyway Core # 35-CORE-7-SC-X-XX

Restricted Keyway Core # 55-Core-Peaks-7PJ-SC-XX

X = Unrestricted BEST® Keyway Options: A, B, C, D, **E**, F, G, H, J, K, L, M, Q, R

NOTE: Our Standard Keyway is "E". If you need to match a specific keyway, please call to discuss.

XX = KEYING

KA = Keyed Alike KD = Keyed Differently

Unrestricted Keyway Keys # 35-KEY-X-OP/CTL/M

Restricted Keyway Keys # 55-Key-OP/CTL/M - Peaks-7PJ

CORE INSTALLATION

To correctly insert the Interchangeable Core into the lock housing,

1 Check if the prongs inside the housing are in the horizontal position. If they are NOT, then **2** insert orange actuator to orient them to the **3** horizontal position. After they are aligned, **4** insert core into housing using the Control Key to lock it in place.



↑ Instruction Video

CAM LOCKS



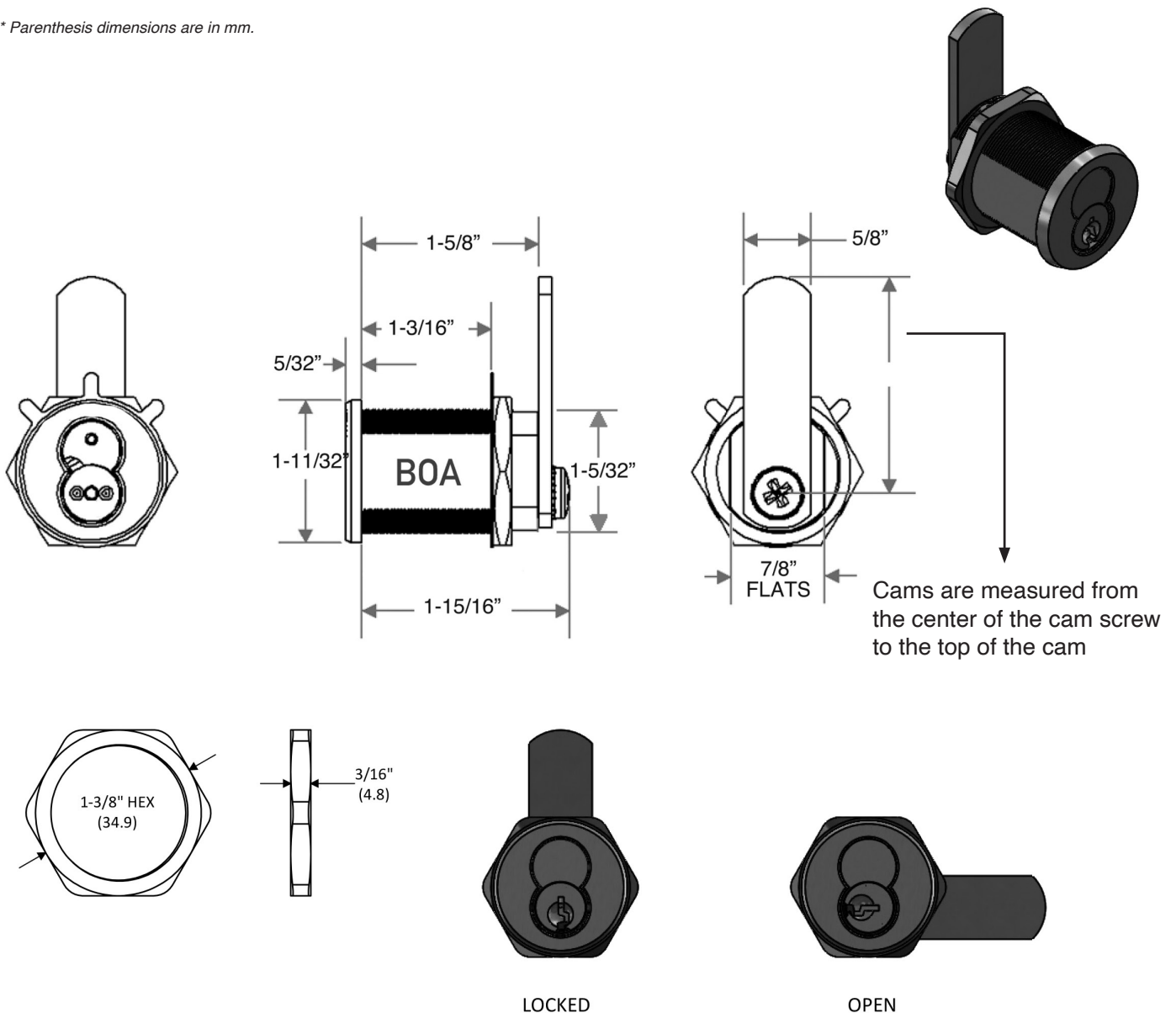
A small format cam lock is a compact and efficient locking device commonly used in commercial and institutional settings to secure items like cabinets and drawers. It features a small format interchangeable core (SFIC) that allows for quick and easy rekeying using a control key, without removing the entire lock. The lock operates by rotating a metal cam to engage or release a latch, providing both security and convenience.

Keys and Cores sold separately.

Patent No.: U.S. 8,028,555B2

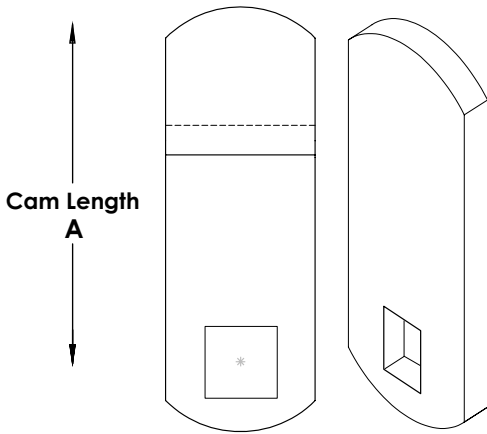
Base Part #: **55CL** **XXXX** **X** **XX** **XXX** **XX**

* Parenthesis dimensions are in mm.

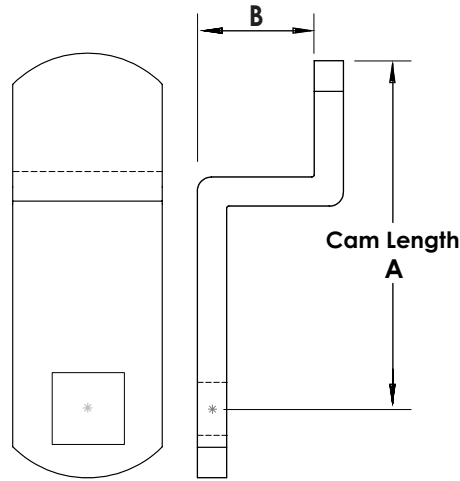


CAM LOCKS

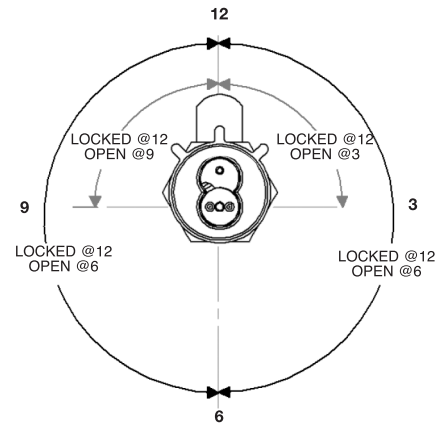
STRAIGHT CAM



OFFSET CAM



Note: All cams are reversible.



*All 180 degree rotations are clockwise, unless specified.

55CL XXXX X XX XXX XX

XXXX = ROTATION

	Locked	Open
0312	3	12
0306	3	6
0309	3	9
0612	6	12
0603	6	3
0609	6	9
0912	9	12
0903	9	3
0906	9	6
1203	12	3
1206	12	6
1209	12	9

X = KEY FUNCTION

- 1 = Captive
- 2 = Non Captive

XX = METAL FINISH

- BC = Brushed Chrome (Standard)
- PC = Polished Chrome
- SB = Satin Brass
- AB = Antique Bronze
- BL = Matte Black
- CF = Custom Finish

XXX = CAM TYPE

Straight

- 625 = .625
- 750 = .75
- 875 = .875
- 125 = 1.25
- 137 = 1.375
- 150 = 1.50
- 175 = 1.75
- 200 = 2.00

Custom cam

CL

Offset (A x B)

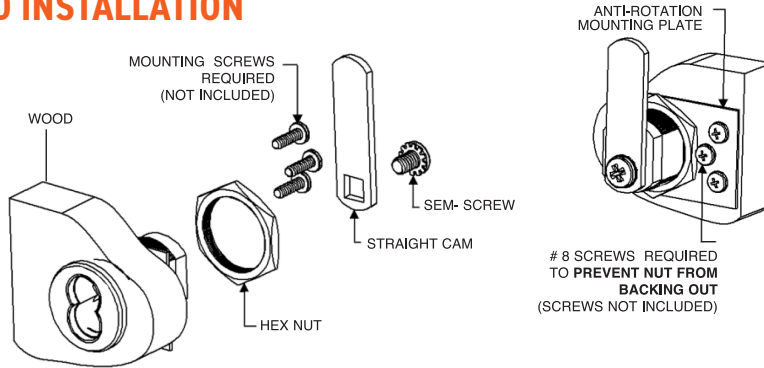
- 201 = 1.25 x .25
- 202 = 1.25 x .50
- 203 = 1.375 x .25
- 204 = 1.50 x .125
- 205 = 1.50 x .25
- 206 = 1.50 x .375
- 207 = 1.75 x .375
- 208 = 2.00 x .25
- 209 = 2.00 x .50

XX = MATERIAL INSTALLED ON

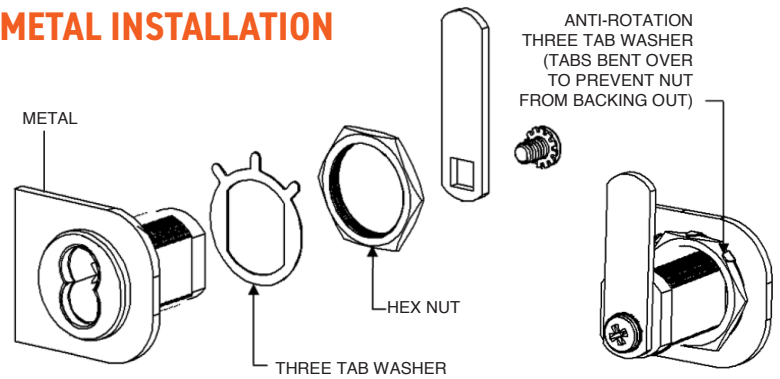
- WD = Wood
- MT = Metal
- GL = Glass

CAM LOCKS

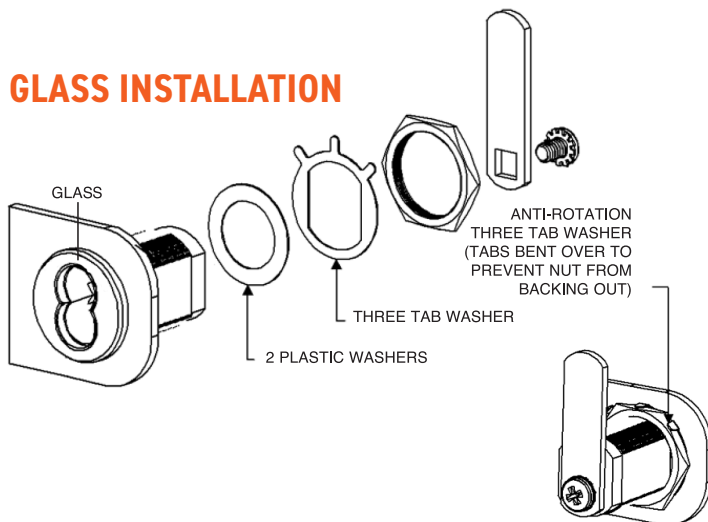
WOOD INSTALLATION



METAL INSTALLATION



GLASS INSTALLATION



By contrast to our competitor's SFIC Cam Lock, our patented design SFIC Cam Lock makes installation simple. You tell us how you want the lock prepared (Locked at 9:00 / Open at 12:00, Key Retaining, etc...) and we ship it out to you pre-assembled that way. All you have to do is mount it.



THEIRS

VS.

OURS

DEADBOLT & SPRING BOLTS

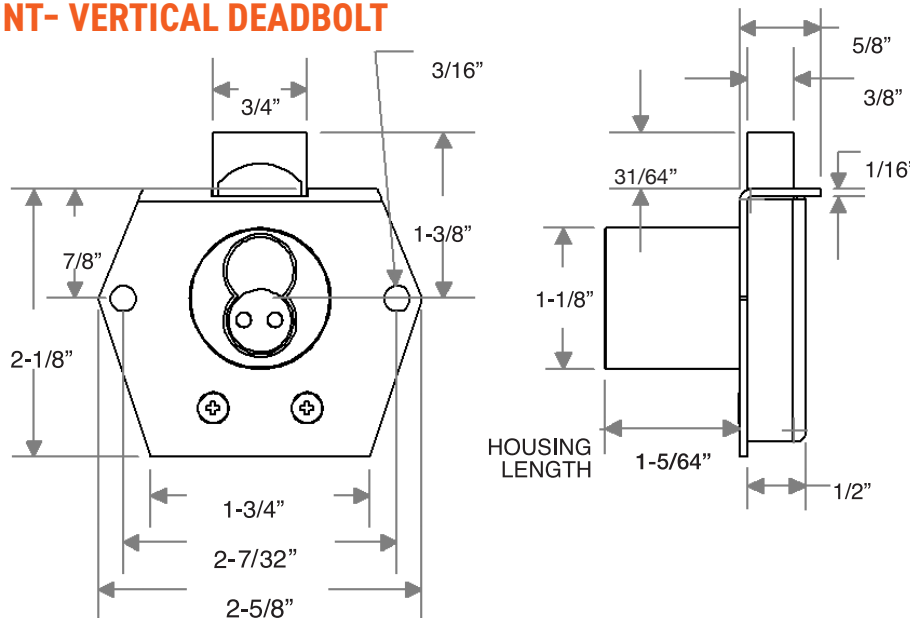


A small format interchangeable core deadbolt and spring bolt lock both use a removable SFIC core and can be installed in mortise or rim installations. Mortise housings are recessed into the door for a flush fit, while rim housings are surface-mounted for easier installation. Deadbolts offer strong security with a manually operated bolt, while spring bolts use an automatic latch for quicker access but slightly less security. Both function similarly regardless of housing type, differing mainly in installation and application.

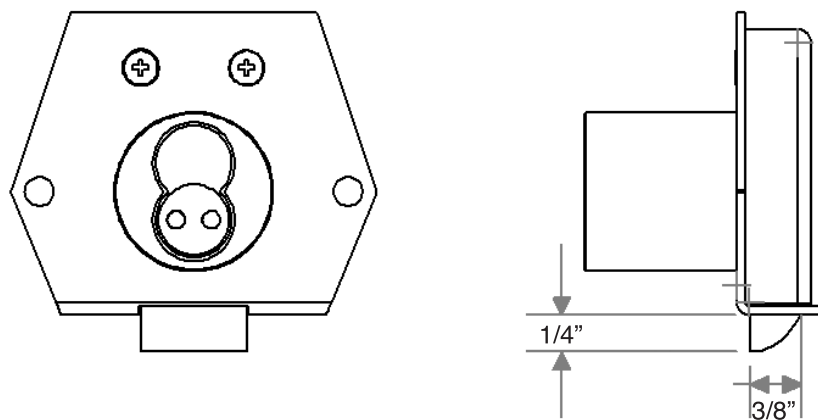
Keys and Cores sold separately.

Base Part #: **55-DBX** XXX X X X XX
55-SPR XXX X X X XX

RIM MOUNT- VERTICAL DEADBOLT

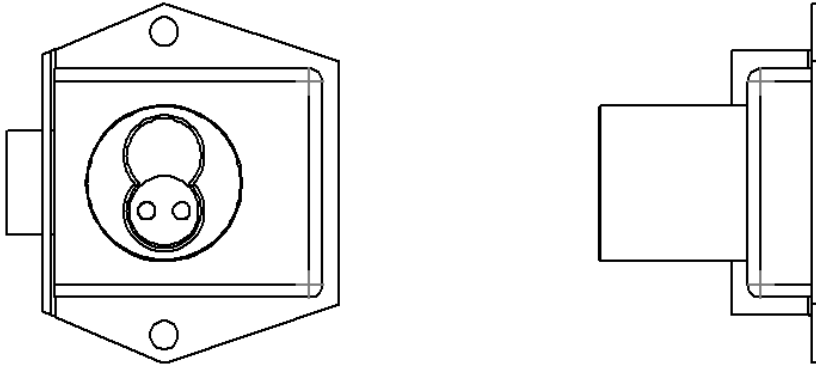


RIM MOUNT- INVERTED SPRING BOLT

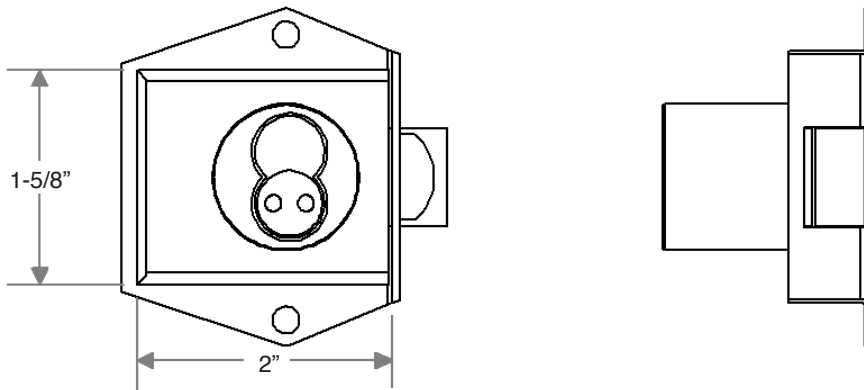


DEADBOLT & SPRING

MORTISE MOUNT- RIGHT HAND SPRING BOLT *(special order)*



MORTISE MOUNT- LEFT HAND DEADBOLT *(special order)*



55-DBX **XXX** **X** **X** **X** **XX**

55-SPR **XXX** **X** **X** **X** **XX**

XXX = BOLT TYPE

DBX = Deadbolt

SPR = Spring Bolt

X = MOUNTING

R = Rim

M = Mortise

X = BOLT DIRECTION

12 = 12 O'Clock

03 = 3 O'Clock

06 = 6 O'Clock

09 = 9 O'Clock

X = KEY FUNCTION

1 = Key Retaining

2 = Non Key Retaining

X = Neither really applies

XX = FINISH

BC = Brushed Chrome

PC = Polished Chrome

SB = Satin Brass

ST = Statuary Bronze

BL = Black

AB = Antique Bronze

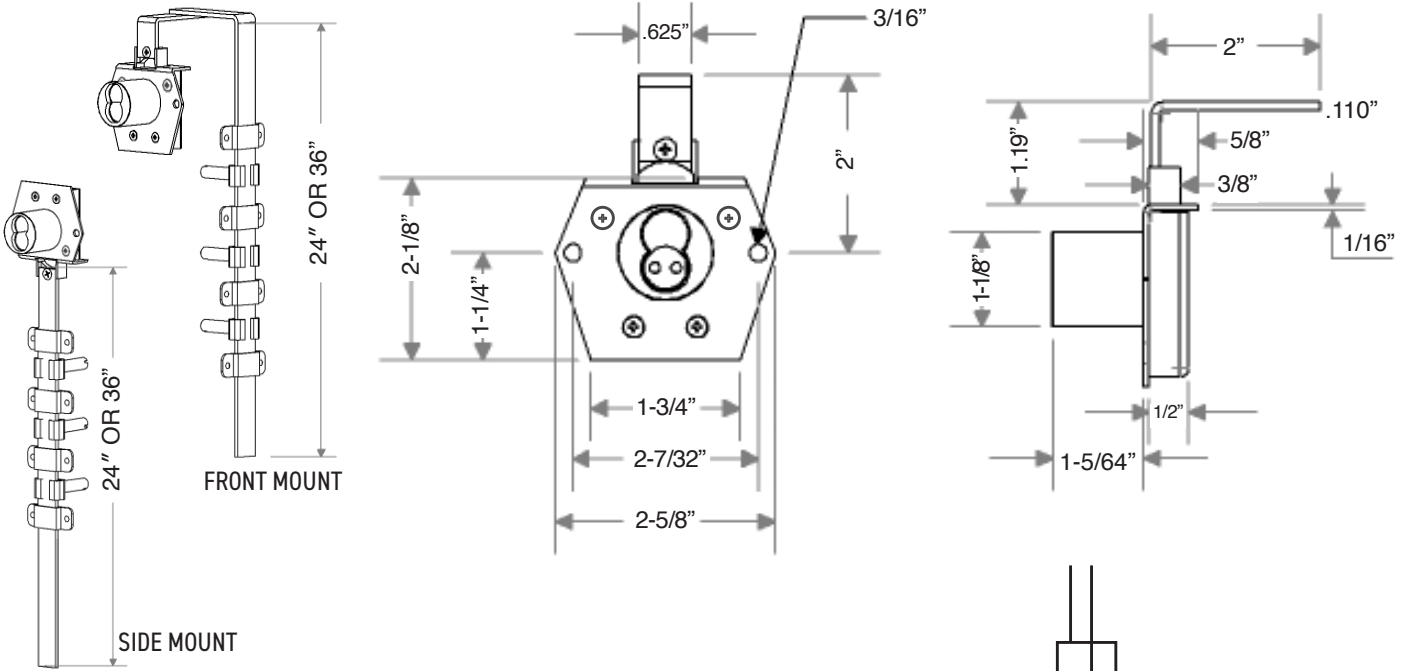
GANG LOCK



An SFIC gang lock uses a single small format interchangeable core to secure multiple drawers simultaneously by engaging internal locking pins. It offers centralized security and easy rekeying, making it ideal for file cabinets and desks. However, proper drawer alignment is required for smooth operation, which can sometimes cause user issues.

Keys and Cores sold separately.

Base Part #: **55-GL XX X X X X XX**



55-GL XX X X X X XX

XX = BOLT TYPE

FM = Front Mount

SM = Side Mount

X = HOUSING STYLE

R = Rim

M = Mortise

X = BAR LENGTH

24"

36"

X = LOCKING DIRECTION

U = Bar Travels Up to Lock -
Drawer Notched at Bottom for Pin

D = Bar Travels Down to Lock -
Drawer Notched at Top for Pin

X = KEY FUNCTION

1 = Key Retaining

2 = Non Key Retaining

XX = FINISH

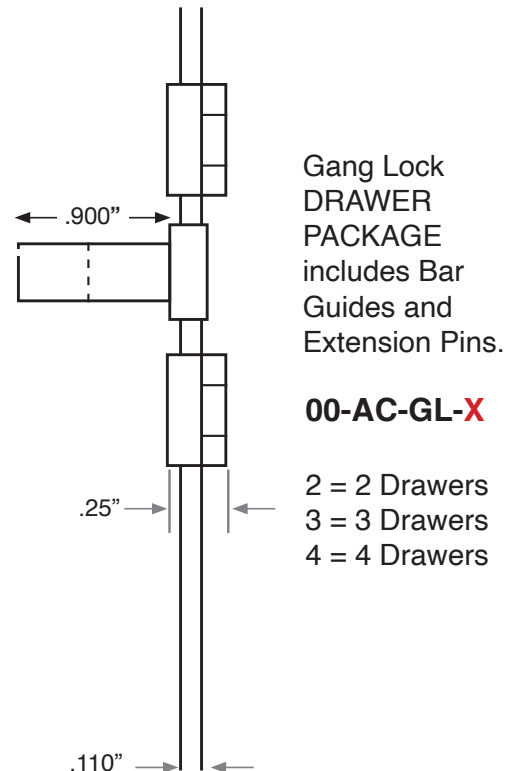
BC = Brushed Chrome

PC = Polished Chrome

SB = Satin Brass

BL = Black

AB = Antique Bronze



Gang Lock
DRAWER
PACKAGE
includes Bar
Guides and
Extension Pins.

00-AC-GL-X

2 = 2 Drawers

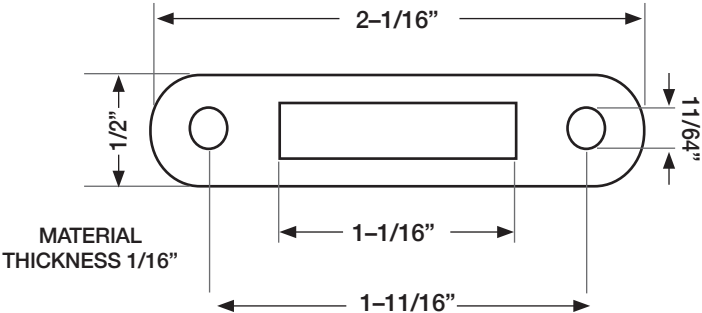
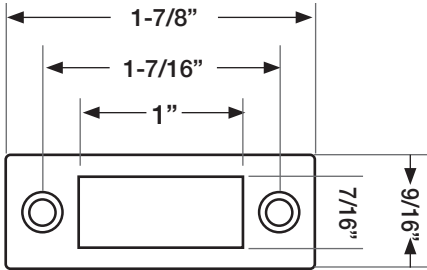
3 = 3 Drawers

4 = 4 Drawers

Part # 00-AC-STR-SLT-186-690-BN



MATERIAL THICKNESS .040"



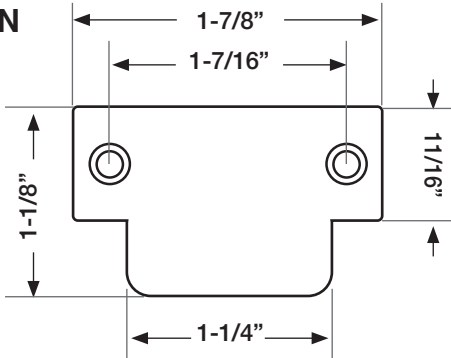
Part # 00-AC-STR-SLT-215x500-BN



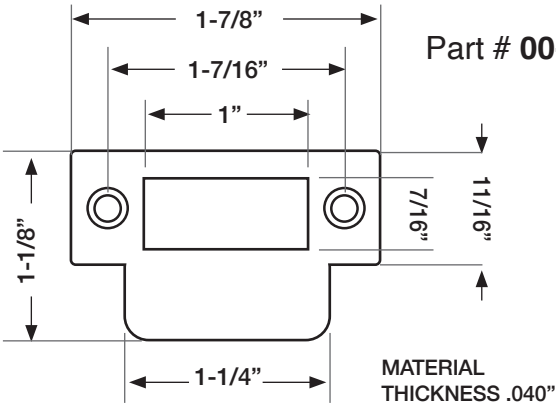
Part # 00-AC-STR-SOL-LIP-186x680-BN



MATERIAL THICKNESS .040"

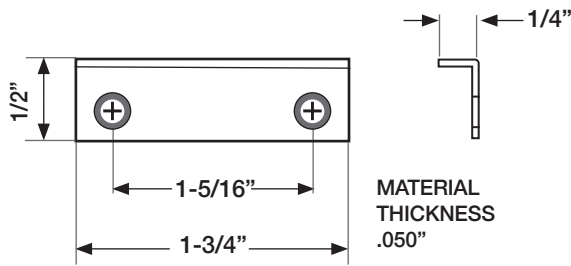
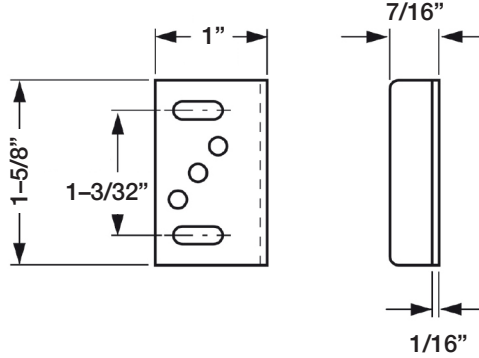
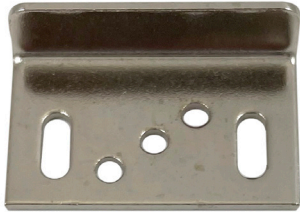


Part # 00-AC-STR-SLT-LIP-186x680-BN



STRIKES

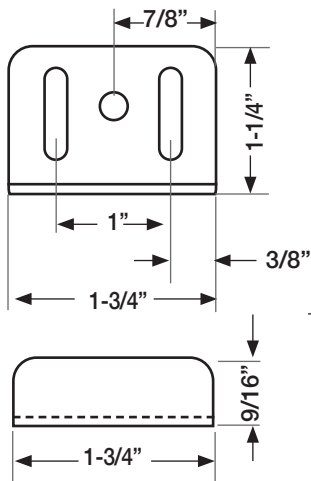
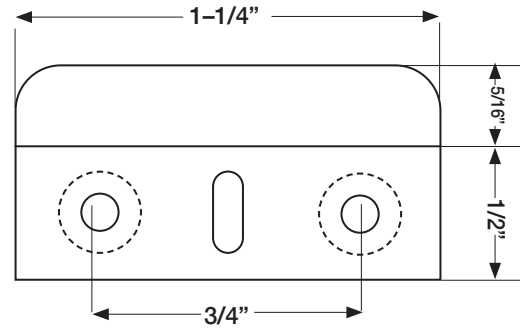
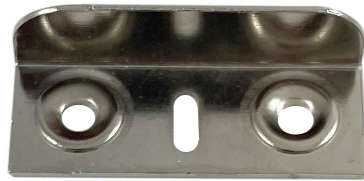
Part # 00-AC-STR-L-163x100-BN



Part # 00-AC-STR-L-175x500-BN



Part # 00-AC-STR-L-130x500-BN



Part # 00-AC-STR-L-175-x125-BN

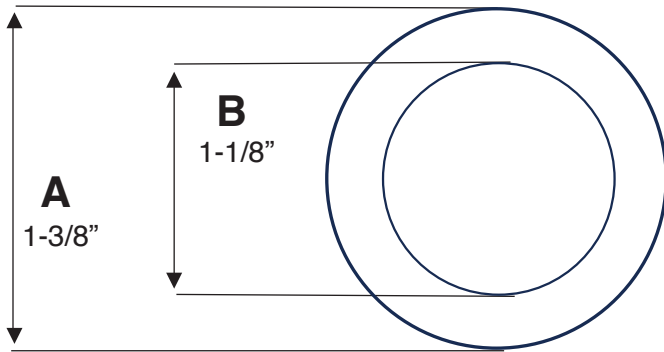


SPACERS



ALUMINUM SPACER COLLARS

for rim locks, mortise locks and SFIC cam locks.



Dim. A and B

Tolerances: +/- 1/16"



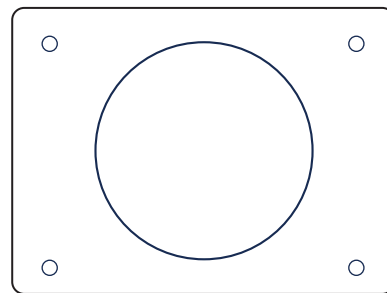
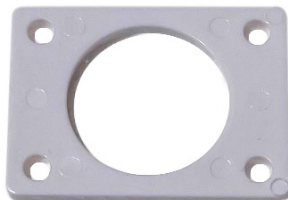
Dim. C. Part #:

1/8"	55-AC-SPA-125-AL
3/16"	55-AC-SPA-187-AL
1/4"	55-AC-SPA-250-AL
3/8"	55-AC-SPA-375-AL
1/2"	55-AC-SPA-500-AL

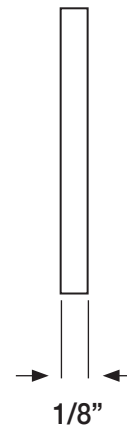
WHITE PLASTIC SPACERS

for CBX series deadbolt locks

Part # 55-SPA-DB-CB-WH

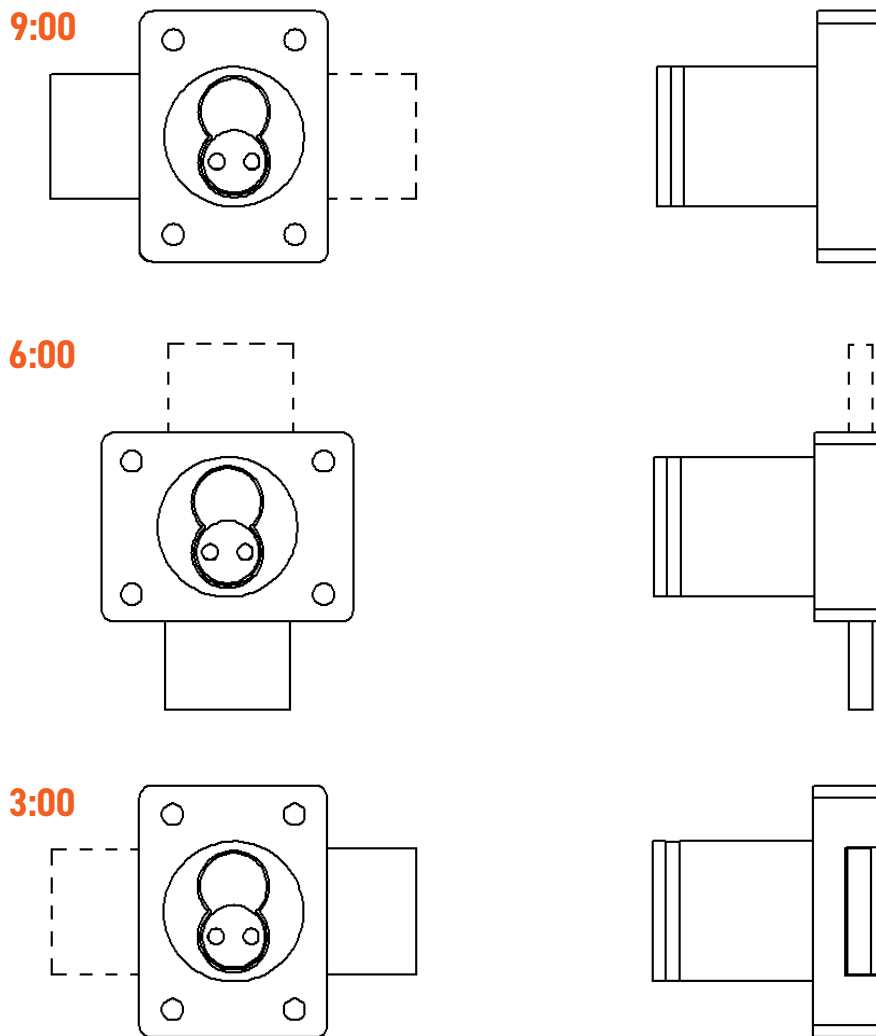


2.00"



1/8"

DEADBOLT



55CB XX X XX

XX = BOLT LOCKED DIRECTION

12 = 12 O'Clock
03 = 3 O'Clock
06 = 6 O'Clock
09 = 9 O'Clock

X = KEY FUNCTION

1 = Key Retaining (Standard)
2 = Non Key Retaining

XX = FINISH

BC = Brushed Chrome (Standard)
PC = Polished Chrome
SB = Satin Brass
ST = Statuary Bronze
BL = Black
AB = Antique Bronze

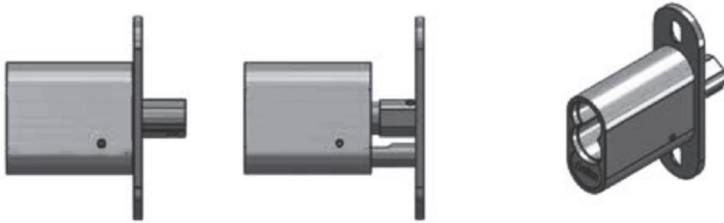
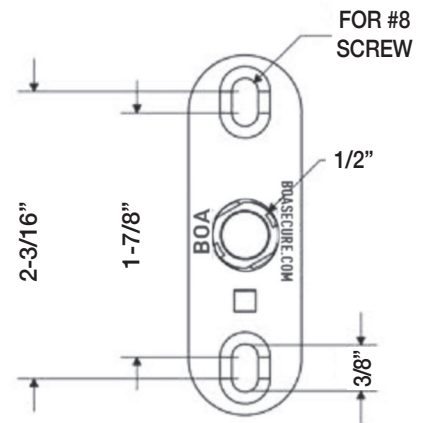
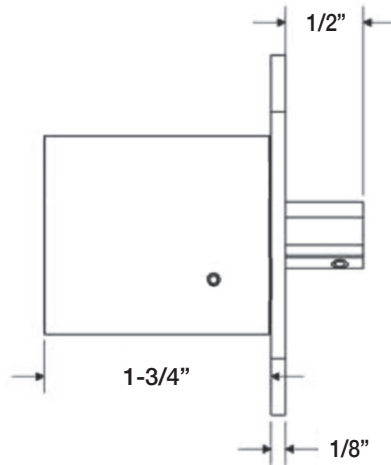
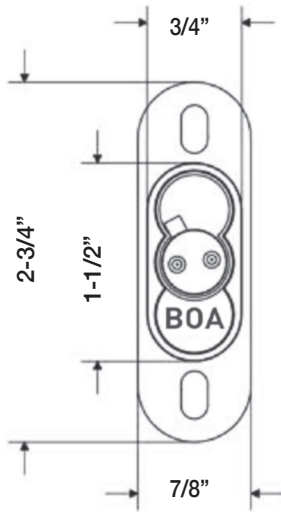
SFIC PLUNGER LOCK-KEY RETAINING



BOA's SFIC Plunger lock with key the retaining feature is built to give you years of trouble-free service due to the direct drive bolt and which enables a smooth operation.

Keys and Cores sold separately.

Base Part #: **55 PL SD 1 BC**



55 PL SD 1 BC

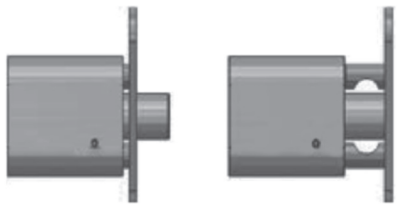
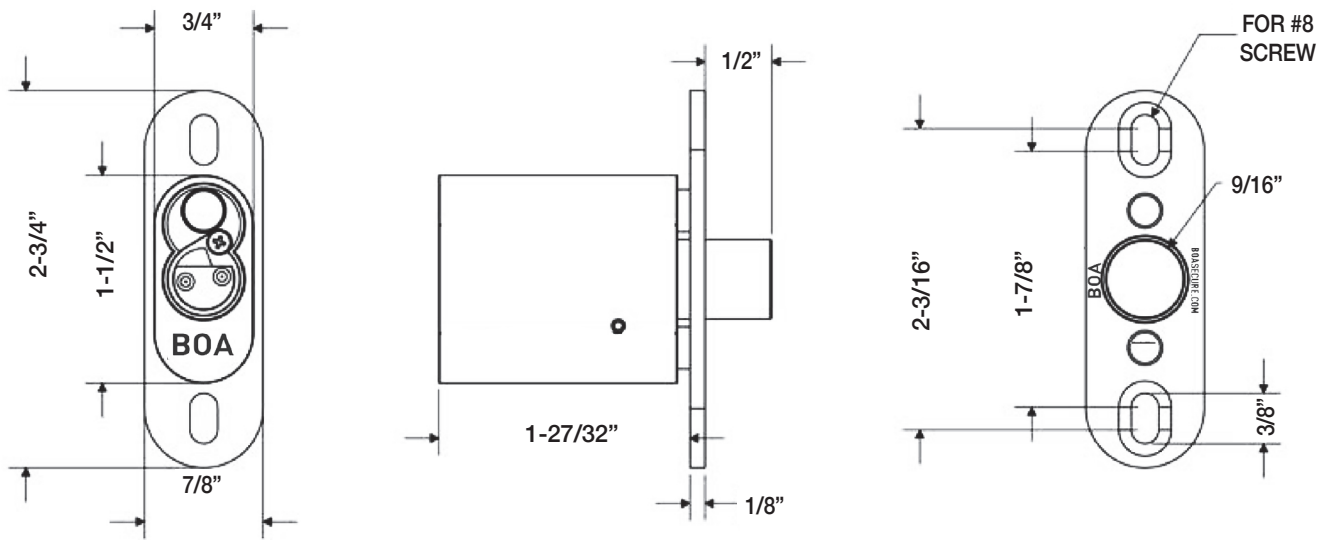
SFIC PLUNGER LOCK-NON KEY RETAINING



BOA's SFIC Plunger lock with our non-key retaining feature is built on the foundation of a pad-lock; utilizing the built to last ball-bearing foundation. It will provide years of trouble-free service. Furthermore, the Prong Pins are well secured in the up-right position to ensure smooth insertion of the cores when needed.

Keys and Cores sold separately.

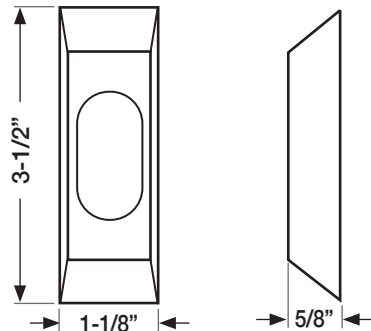
Base Part #: **55 PL SD 2 BC**



55 PL SD 2 BC

OPTIONAL SUPPORT PLATE

55 PL SP BC



MEDICAL CART/FILE CABINET LOCK

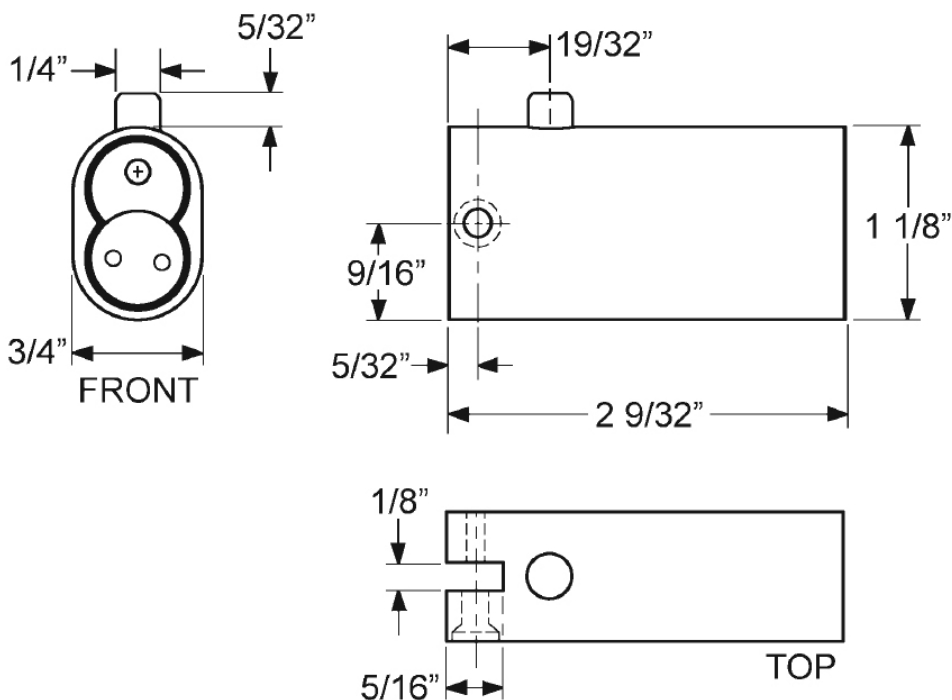


BOA's SFIC Medical Cart / Medical Cabinet lock is a direct replacement for the BEST 2P73. As with all of our SFIC products, it accepts all major manufacturer's Small Format Interchangeable Cores (BEST style).

This product is built to provide years of trouble-free service due to our stainless-steel spring-loaded locking pin and Prong Driver Assembly. The spring loaded bolt provides just the right amount of tension for a perfectly smooth action when rotating the key. Our lock comes standard with a Red-Dot indicator to let you know when the lock is in the unlocked position.

Keys and Cores sold separately.

Base Part #: **55 FCV X BC**



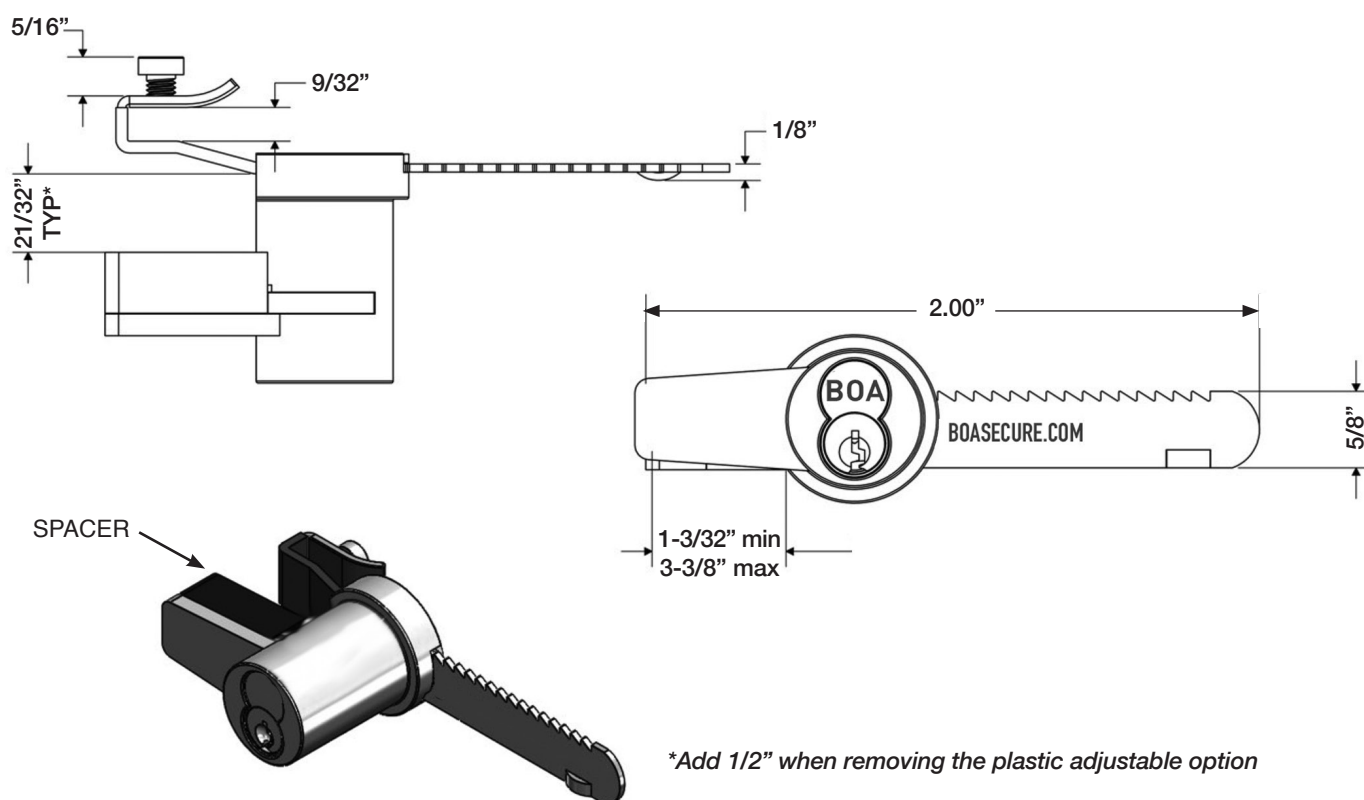
SFIC RATCHET



The BOA SFIC Ratchet lock is made with a forward facing core for ease of use. This lock has six different mounting bars available. The lock is made with an optional spacer in order to accommodate a variety of applications.

Keys and Cores sold separately.

Base Part #: **55 RT XXXX**



55 RT XXXX

XXXX = RATCHET BARS

R250 = Regular Ratchet Bar for glass doors with a max thickness of 1/4"

R375 = Regular Ratchet Bar for glass doors with a max thickness of 3/8"

A750 = Extended Ratchet Bar for glass doors with a max thickness of 3/4"

RADH = Small adhesive mounted plate (1-1/2" x 2")

RADE = Large adhesive mounted plate (1-1/2" x 3-7/8")

R500 = Short Ratchet Bar for thick material

SFIC RATCHET BARS



R250
Small Ratchet Bar 1/4"



R375 (Special Order)
Regular Ratchet Bar 3/8"



R750
Extended Ratchet Bar 3/4"



RADH
Short Ratchet Plate
1-1/2" x 2"



RADE (Special Order)
Long Ratchet Plate
1-1/2" x 3-7/8"



R500 (Special Order)
Short Ratchet Bar
for thick material

CYLINDERS

Cores sold separately.



Mortise Cylinder

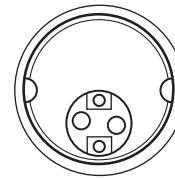
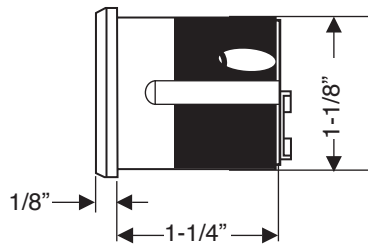
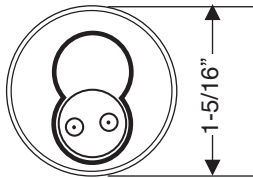
Base Part #: 55 CYL MORT 1250 **XX Z0X**



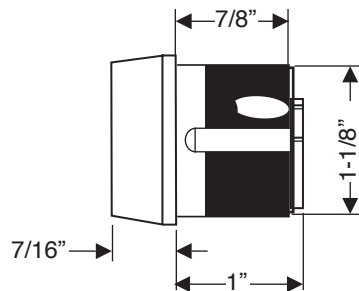
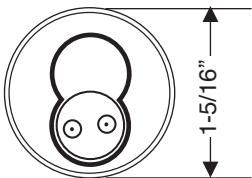
Tapered Mortise

Base Part #: 55 CYL MORT 875 **XX Z0X**

MORTISE CYLINDER WITH CHANGEABLE CAM



TAPERED MORTISE WITH CHANGEABLE CAM



CAMS



Z01



Z02



Z06



Z07

XX = FINISH

BC = Brushed Chrome (Standard)

PC = Polished Chrome

SB = Satin Brass

BL = Black

AB = Antique Bronze

SA = Satin Bronze

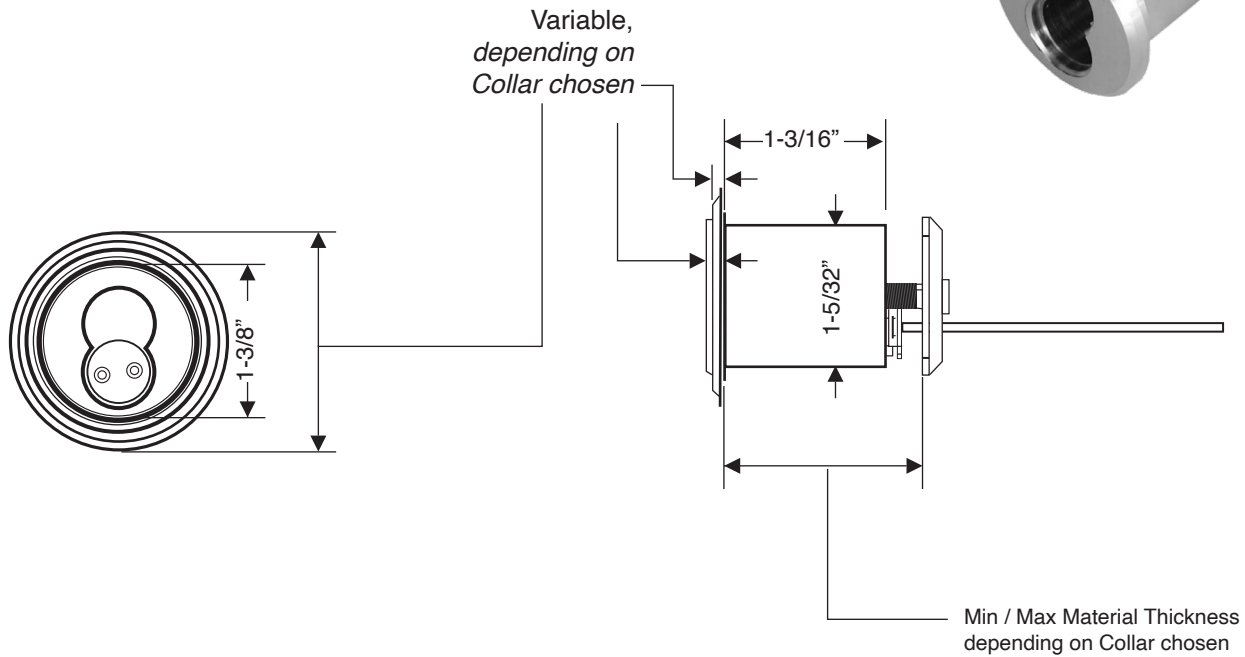
CYLINDERS

Cores sold separately.



Rim Cylinder

Base Part #: **55 CYL RIM XX**



Part #: **55 CYL RIM XX**

XX = FINISH

BC = Brushed Chrome (Standard)

PC = Polished Chrome

SB = Satin Brass

ST = Statuary Bronze

BL = Black

AB = Antique Bronze



BOA SECURITY TECHNOLOGIES

586 New York Avenue, Unit 3

Huntington, NY 11743

T 516-576-0295 | F 631-470-8099

Alan.Lurie@BOA-ST.com

www.BoaSecure.com
