

SFIC



Cores are available in keyed alike, keyed different, master keyed, grand master keyed and great grand master keyed configurations.

Available in A2

Key systems built and maintained by BOA

Base Part #: **IC CORE 7X**

PLATING FINISH:

626/26D Brushed Satin Chrome
(custom finishes available)

AVAILABLE IN KEYWAY

BEST®: A, B, C, D, E, F, G, H, J, K, L, M, Q, R
KABA PEAKS: BOA restricted keyway

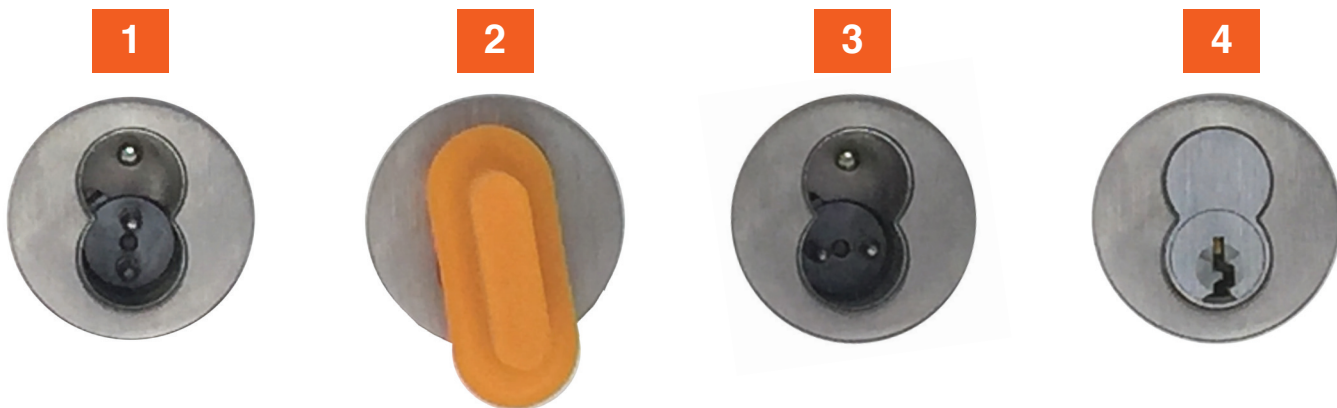
KEY ORDERING

KEYI OP
KEYI MASTER
KEYI CONTROL

CORE INSTALLATION

To correctly insert the Interchangeable Core into the lock housing,

1 Check if the prongs inside the housing are in the horizontal position. If they are NOT, then **2** insert orange actuator to orient them to the **3** horizontal position. After they are aligned, **4** insert core into housing turn the control key to the locked position.



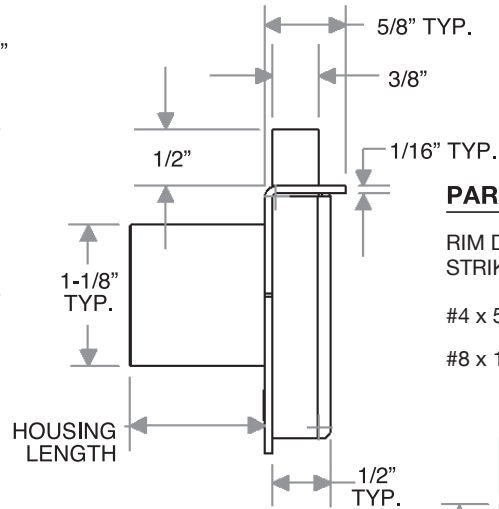
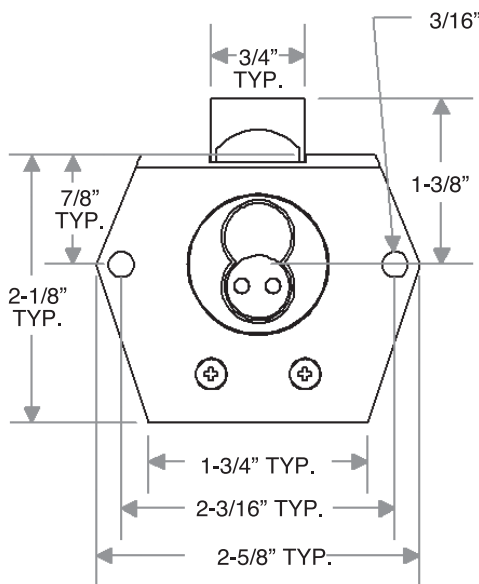
DEAD BOLT & SPRING BOLTS



SFIC Dead Bolt and Spring Bolt

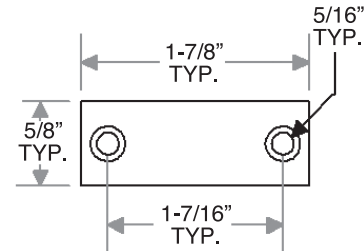
Base Part #: **55DBX** **XXX** **X** **XX**
55SPR **XXX** **X** **XX**

RIM MOUNT- VERTICAL DEAD BOLT

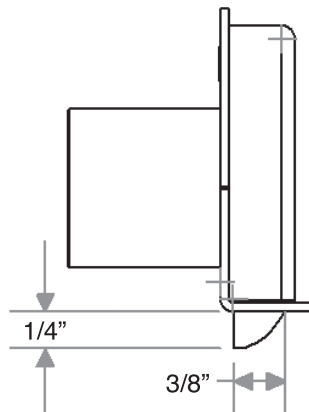
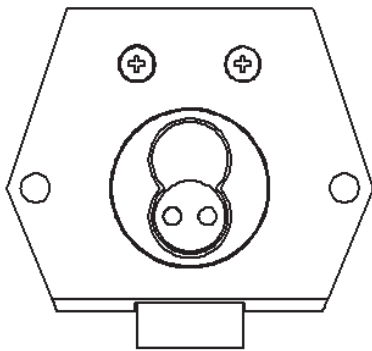


PARTS INCLUDED QTY.

RIM DEAD BOLT	1
STRIKE	
#4 x 5/8" LG. SCREW	2
#8 x 1/2" LG. SCREW	2

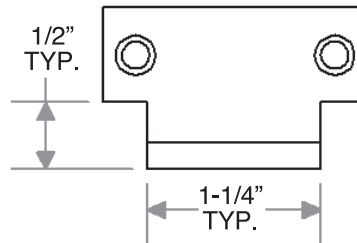


RIM MOUNT- INVERTED SPRING BOLT



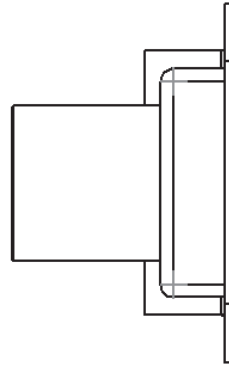
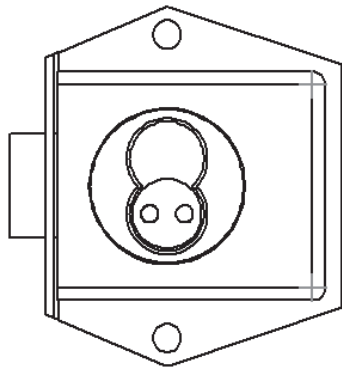
PARTS INCLUDED QTY.

RIM SPRING BOLT	1
STRIKE	
#4 x 5/8" LG. SCREW	2
#8 x 1/2" LG. SCREW	2



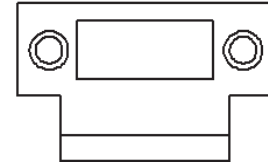
DEAD BOLT & SPRING BOLTS

MORTISE MOUNT- RIGHT HAND SPRING BOLT *(special order)*

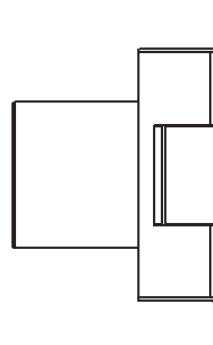
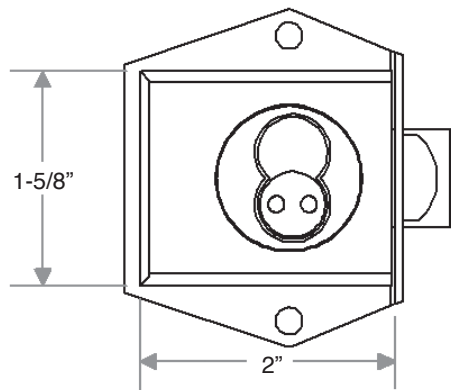


PARTS INCLUDED QTY.

MORTISE SPRING BOLT STRIKE	1
#4 x 5/8" LG. SCREW	2
#8 x 1/2" LG. SCREW	2

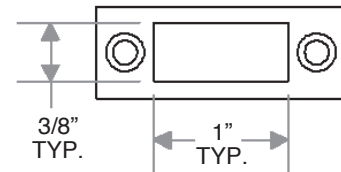


MORTISE MOUNT- LEFT HAND DEAD BOLT *(special order)*



PARTS INCLUDED QTY.

MORTISE DEAD BOLT STRIKE	1
#4 x 5/8" LG. SCREW	2
#8 x 1/2" LG. SCREW	2



55DBX **XXX X X XX**

55SPR **XXX X X XX**

XXX = BOLT TYPE

DBX = Dead Bolt
SPR = Spring Bolt
CBX = Cabinet Bolt

X = MOUNTING

R = Rim
M = Mortise

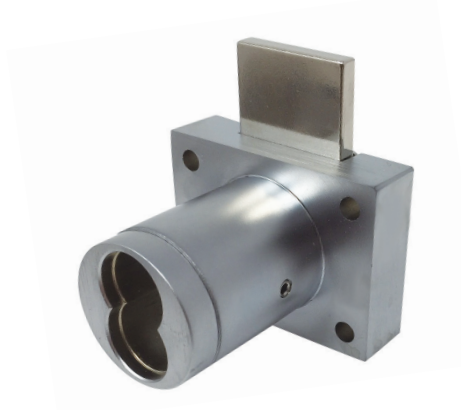
X = KEY FUNCTION

1 = Key Retaining
2 = Non Key Retaining
X = Neither really applies

XX = FINISH

BC = Brushed Chrome
PC = Polished Chrome
SB = Satin Brass
PB = Polished Brass
ST = Statuary Bronze
BL = Black
AB = Antique Bronze

DEAD BOLT

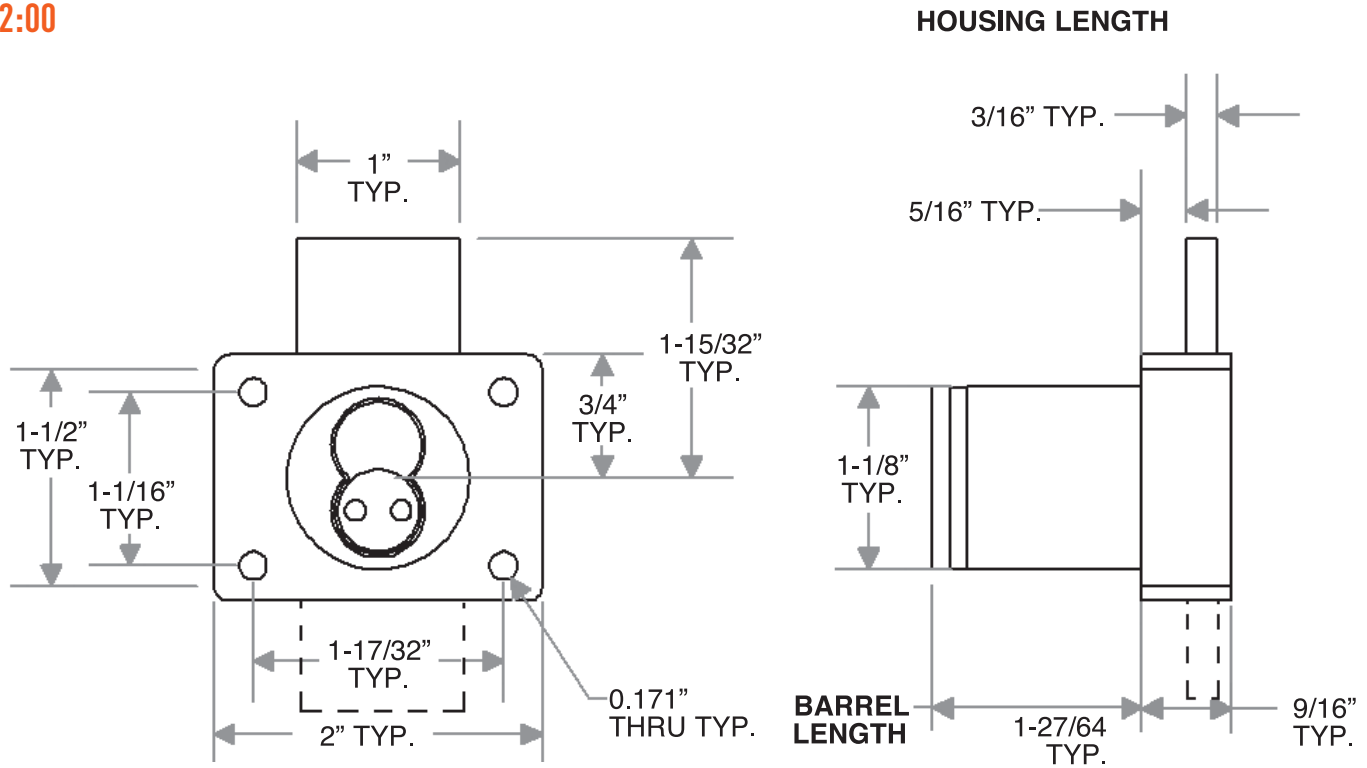


SFIC CBX Dead Bolt
Available with steel or cast bolts.

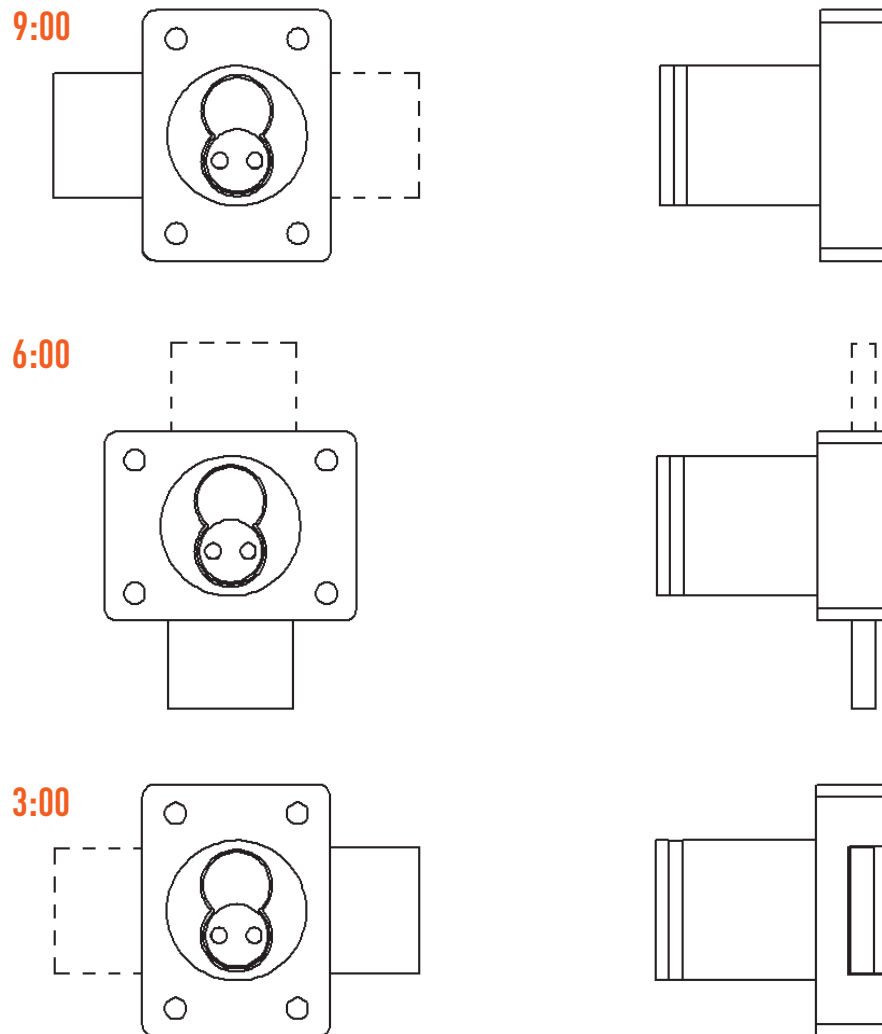
Base Part #: **55CBX XX X XX**

“Throw” (distance bolt travels from the locked to unlocked position) is $23/32$ ”.
All dimensions shown are in the locked position.

12:00



DEAD BOLT



55CBX XX X XX

XX = BOLT LOCKED DIRECTION

12 = 12 O'Clock
03 = 3 O'Clock
06 = 6 O'Clock
09 = 9 O'Clock

X = KEY FUNCTION

1 = Key Retaining (Standard)
2 = Non Key Retaining

XX = FINISH

BC = Brushed Chrome (Standard)
PC = Polished Chrome
SB = Satin Brass
PB = Polished Brass
ST = Statuary Bronze
BL = Black
AB = Antique Bronze

CYLINDERS

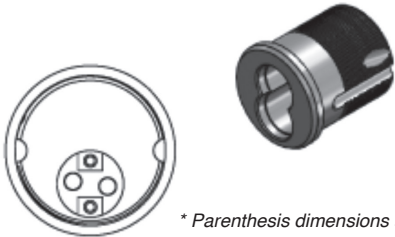
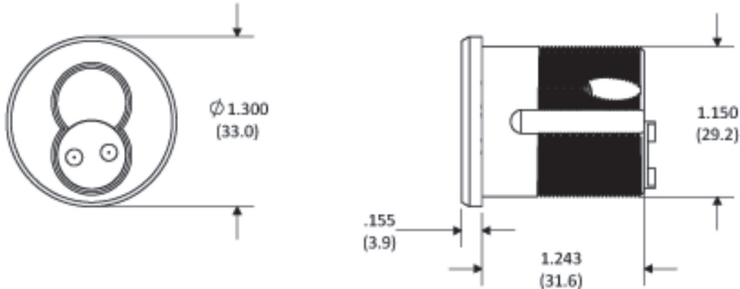


Mortise Cylinder
Base Part#: 55 CYL MORT 1250 **XX**



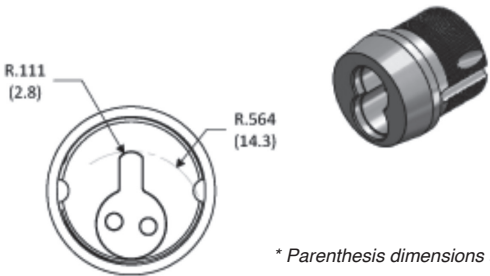
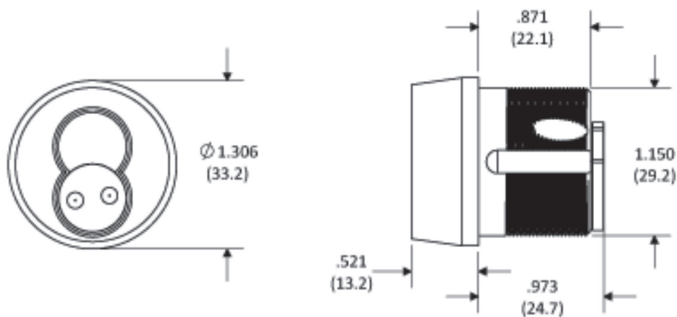
Tapered Mortise
Base Part#: 55 CYL MORT 875 **XX**

MORTISE CYLINDER WITH CHANGEABLE CAM



* Parenthesis dimensions are in mm.

TAPERED MORTISE WITH CHANGEABLE CAM



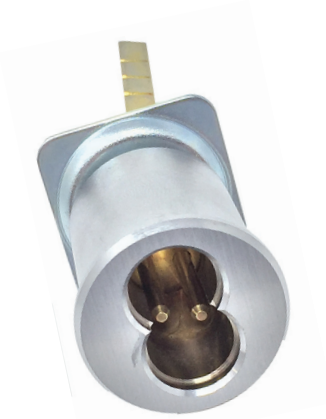
* Parenthesis dimensions are in mm.

CAMS



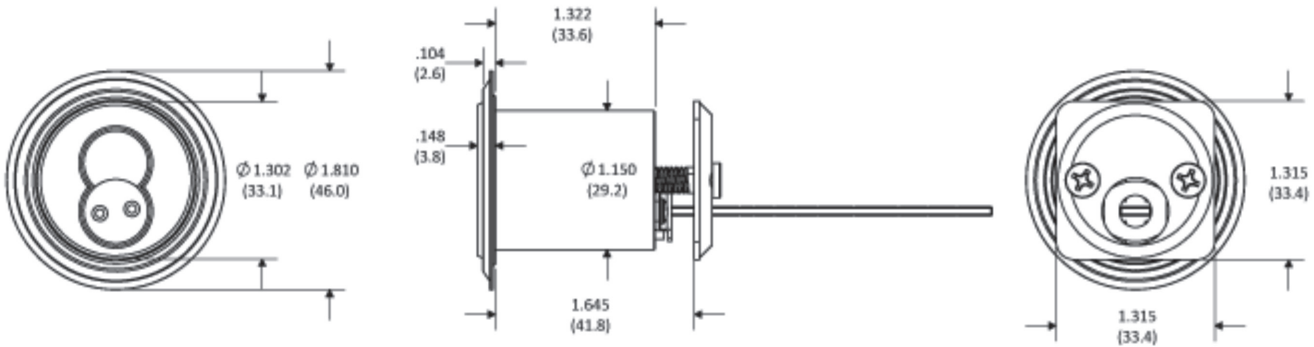
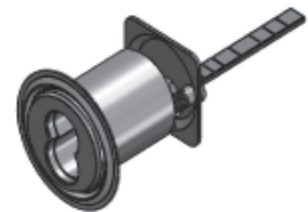
- XX = FINISH**
 BC = Brushed Chrome (Standard)
 PC = Polished Chrome
 SB = Satin Brass
 PB = Polished Brass
 ST = Statuary Bronze
 BL = Black
 AB = Antique Bronze

CYLINDERS



Rim Cylinder
Base Part#: 55 CYL RIM **XX**

* Parenthesis dimensions are in mm.



Part#: 55 CYL RIM **XX**

XX = FINISH

- BC = Brushed Chrome (Standard)
- PC = Polished Chrome
- SB = Satin Brass
- PB = Polished Brass
- ST = Statuary Bronze
- BL = Black
- AB = Antique Bronze