

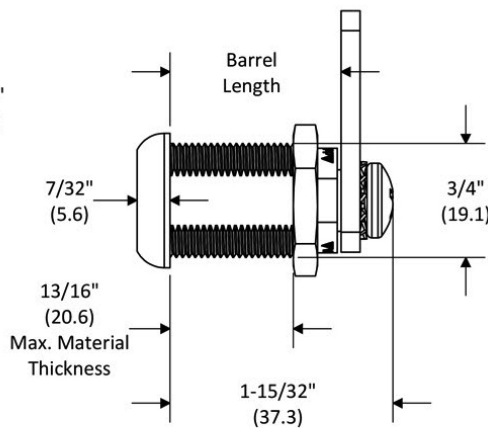
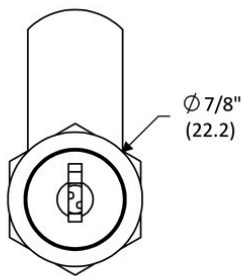
CAM LOCKS



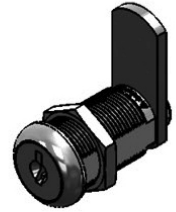
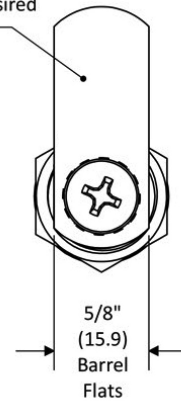
BOA Key Removable Core Camlocks are available in the industry standard 54G Keyway with 6 tumblers. Camlocks are available in 7/8", 1-1/8", 1-3/8" and 1-3/4". Key retaining and non key retaining. Camlocks can be used on wood, metal or glass with optional accessories.

Base Part#: **CLD** XXXX XXXX XX X X X

* Parenthesis dimensions are in mm.



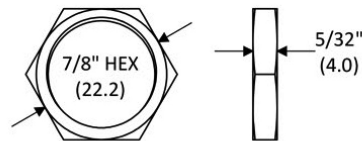
CAM will vary depending on desired configuration.



LOCKED



OPEN



CLD XXXX XXXX XX X X X

XXXX = BARREL LENGTH

- 0875 = 7/8" Barrel length
- 1125 = 1-1/8" Barrel length
- 1375 = 1-3/8" Barrel length
- 1750 = 1-3/4" Barrel length

XX = METAL FINISH

- PN = Polished Nickel (Standard)
- SN = Satin Nickel
- BL = Black

XXXX = CAM ROTATION

- 90° Clockwise
- 1203 = 12 – 03 O'clock
- 0306 = 03 – 06 O'clock
- 0906 = 06 – 09 O'clock
- 0912 = 09 – 12 O'clock

- 90° Counter-Clockwise
- 1209 = 12 – 09 O'clock
- 0906 = 09 – 06 O'clock
- 0603 = 06 – 03 O'clock
- 0312 = 03 – 12 O'clock

X = STAMP LOCK

- S = Stamp lockface or lock (Standard)
- B = Blank (no stamping)

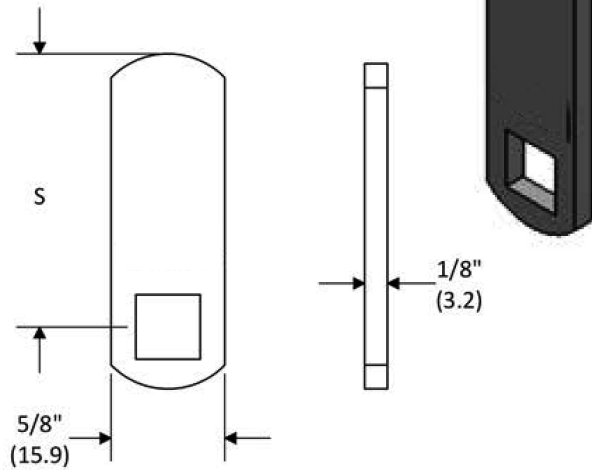
X = MASTERKEYING

- M = Core or lock is masterkeyed
- R = Regular (non-masterkeyed)

X = KEY PULLS

- 1 = One Key Pull
- 2 = Two Key Pulls

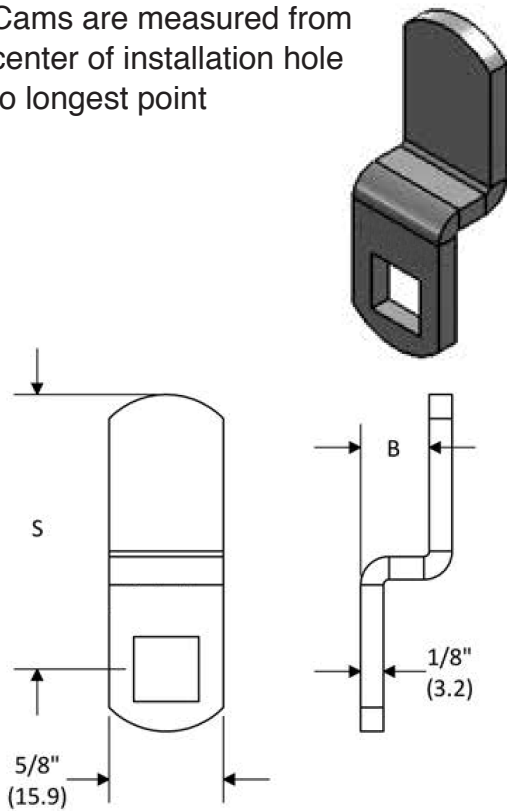
STRAIGHT CAMS



Part #	Length
CAMDS0625	5/8" (15.88 mm)
CAMDS0750	3/4" (19.05 mm)
CAMDS0875	7/8" (22.23 mm)
CAMDS1000	1" (25.4 mm)
CAMDS1125	1-1/8" (28.58 mm)
CAMDS1250	1-1/4" (31.75 mm)
CAMDS1375	1-3/8" (34.93 mm)
CAMDS1500	1-1/2" (38.1 mm)
CAMDS1750	1-3/4" (44.45 mm)
CAMDS2000	2" (50.8 mm)
CAMDS2500	2-1/2" (63.5 mm)
CAMDS3000	3" (76.2 mm)

OFFSET CAMS

Cams are measured from center of installation hole to longest point

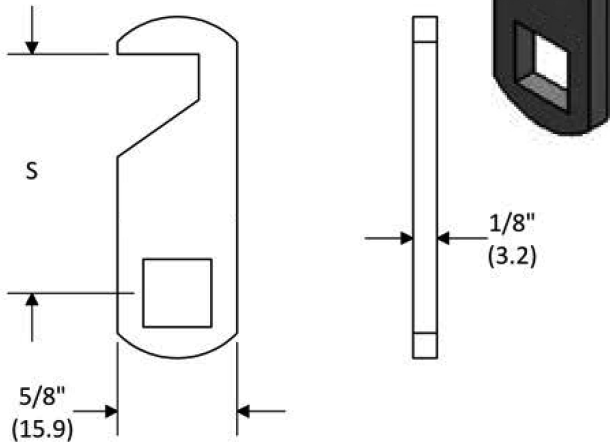


Part #	Length	Offset
CAMLO0875B0125	7/8" (22.23 mm)	1/8" (3.18 mm)
CAMLO1000B0125	1" (25.4 mm)	1/8" (3.18 mm)
CAMLO1250B0125	1-1/4" (31.75 mm)	1/8" (3.18 mm)
CAMLO1500B0125	1-1/2" (38.1 mm)	1/8" (3.18 mm)
CAMLO1750B0125	1-3/4" (44.45 mm)	1/8" (3.18 mm)
CAMLO2000B0125	2" (50.8 mm)	1/8" (3.18 mm)
CAMLO0875B0250	7/8" (22.23 mm)	1/4" (6.35 mm)
CAMLO1000B0250	1" (25.4 mm)	1/4" (6.35 mm)
CAMLO1250B0250	1-1/4" (31.75 mm)	1/4" (6.35 mm)
CAMLO1500B0250	1-1/2" (38.1 mm)	1/4" (6.35 mm)
CAMLO1750B0250	1-3/4" (44.45 mm)	1/4" (6.35 mm)
CAMLO2000B0250	2" (50.8 mm)	1/4" (6.35 mm)
CAMLO1000B0375	1" (25.4 mm)	3/8" (9.53 mm)
CAMLO1250B0375	1-1/4" (31.75 mm)	3/8" (9.53 mm)
CAMLO1500B0375	1-1/2" (38.1 mm)	3/8" (9.53 mm)
CAMLO2000B0375	2" (50.8 mm)	3/8" (9.53 mm)
CAMLO1250B0500	1-1/4" (31.75 mm)	1/2" (12.7 mm)
CAMLO1500B0500	1-1/2" (38.1 mm)	1/2" (12.7 mm)
CAMLO1750B0500	1-3/4" (44.45 mm)	1/2" (12.7 mm)
CAMLO2000B0500	2" (50.8 mm)	1/2" (12.7 mm)

CAMS

HOOK CAMS

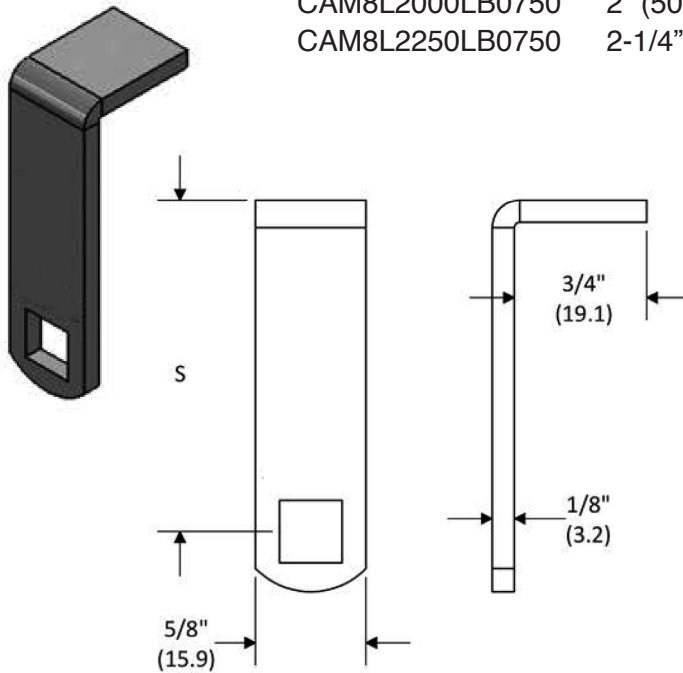
Cams are measured from center of installation hole to longest point



Part #	Length
CAMDH0750	3/4" (19.05 mm)
CAMDH1000	1" (25.4 mm)
CAMDH1250	1-1/4" (31.75 mm)
CAMDH1500	1-1/2" (38.1 mm)

BENT CAMS

Cams are measured from center of installation hole to longest point



Part #	Length	Bend
CAM8L1750LB0750	1-3/4" (44.45 mm)	3/4" (19.05 mm)
CAM8L2000LB0750	2" (50.8 mm)	3/4" (19.05 mm)
CAM8L2250LB0750	2-1/4" (57.15 mm)	3/4" (19.05 mm)