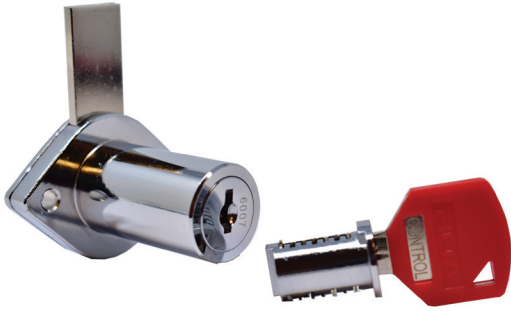


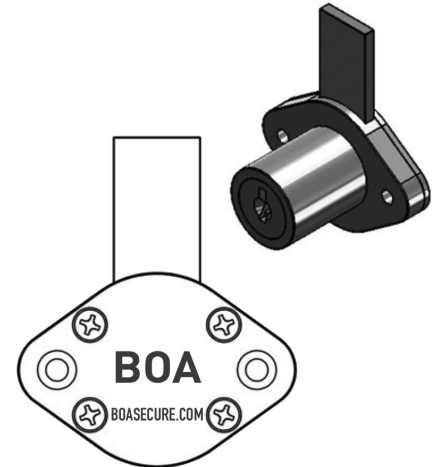
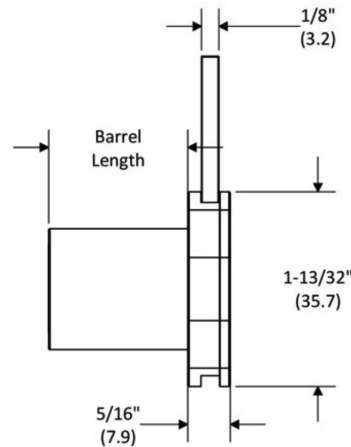
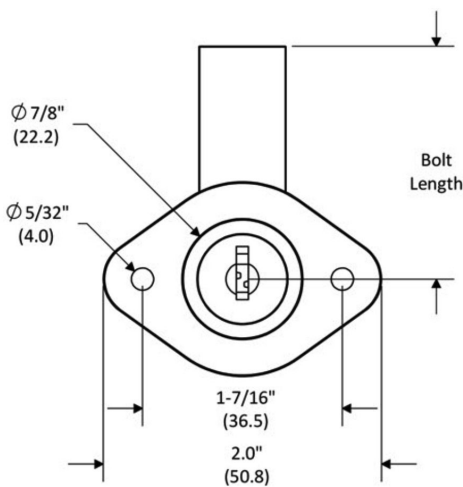
DEAD BOLTS



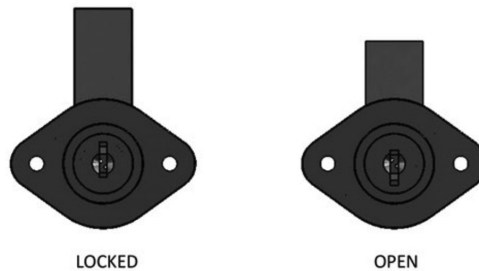
BOA Key Removable Core Deadbolts are available in the industry standard 54G Keyway with 6 tumblers. Deadbolts are available in 1" and 1-1/2" barrel length dimensions. Deadbolts are used on wood or metal applications. Optional accessories available.

Base Part#: **DLD** XXXX XXXX XX X X X

STRAIGHT DEADBOLTS



* Parenthesis dimensions are in mm.



Bolt travel is ~11/32" (8.7 mm).
The A375 bolt is flush with the top of the backplate in the open/unlocked position.

DLD XXXX XXXX XX X X X

XXXX = BARREL LENGTH

1000 = 1" Barrel length
1500 = 1-1/2" Barrel length

XX = METAL FINISH

PN = Polished Nickel (Standard)
SN = Satin Nickel
BL = Black

X = MASTERKEYING

M = Core or lock is masterkeyed
R = Regular (non-masterkeyed)

XXXX = BOLT THROW LENGTH

A375 = 1-1/16" length (locked)
B375 = 1-3/4" length (locked)
XXXX = Custom Cut Length

X = STAMP LOCK

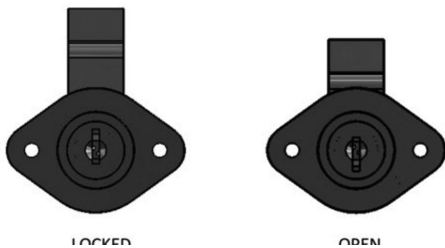
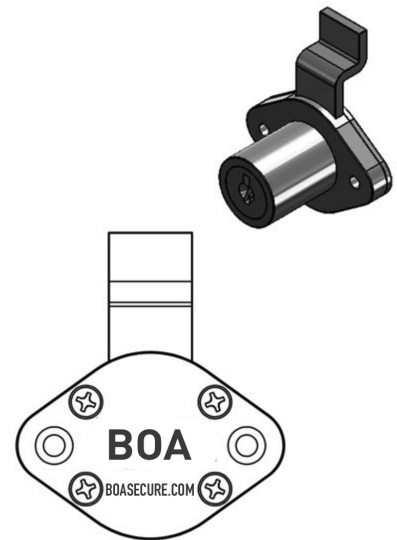
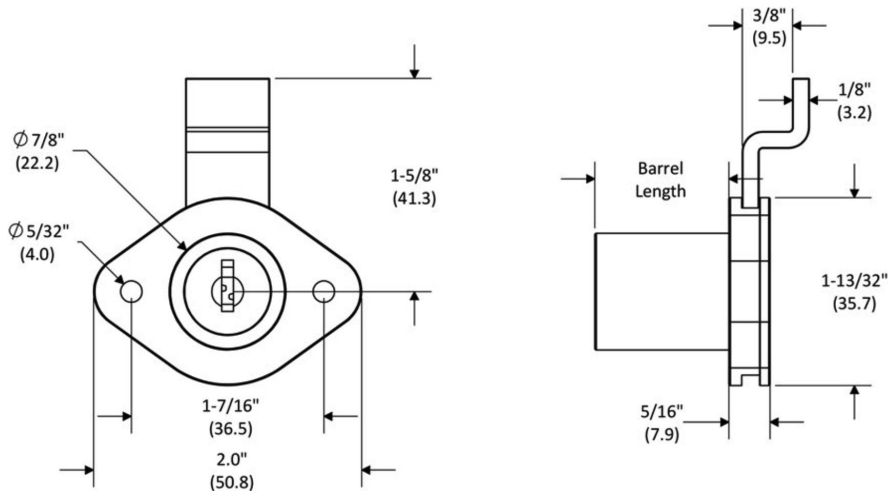
S = Stamp lockface or lock (Standard)
B = Blank (no stamping)

KEY PULLS

1 = One Key Pull
2 = Two Key Pulls

OFFSET DEAD BOLTS

OFFSET DEADBOLTS



* Parenthesis dimensions are in mm.

DLD XXXX C375 XX X X X

XXXX = BARREL LENGTH

- 1000 = 1" Barrel length
- 1500 = 1-1/2" Barrel length

XX = METAL FINISH

- PN = Polished Nickel (Standard)
- SN = Satin Nickel
- BL = Black

X = STAMP LOCK

- S = Stamp lockface or lock (Standard)
- B = Blank (no stamping)

X = MASTERKEYING

- M = Core or lock is masterkeyed
- R = Regular (non-masterkeyed)

KEY PULLS

- 1 = One Key Pull
- 2 = Two Key Pulls