

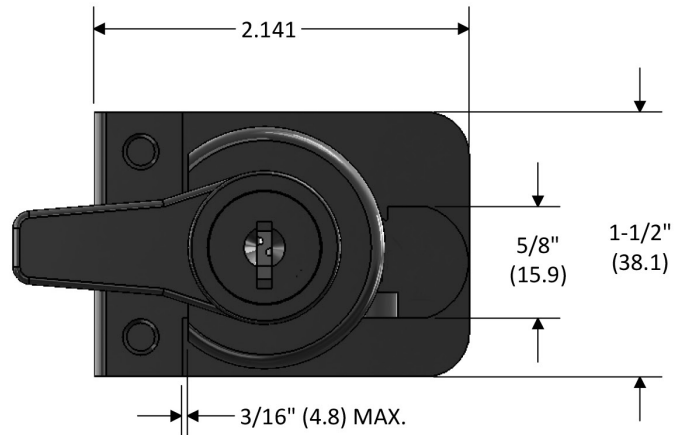
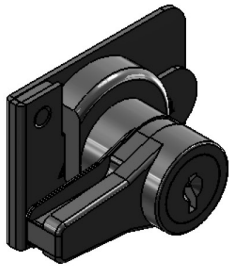
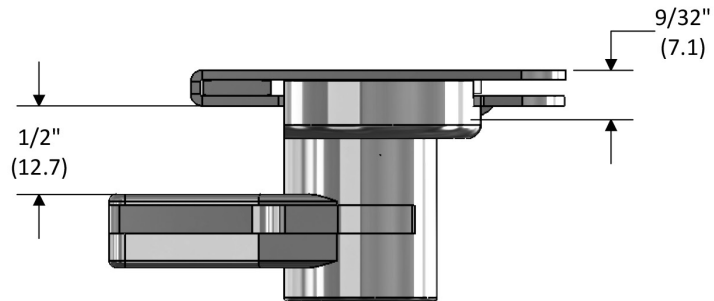
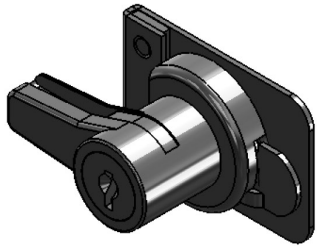
RATCHET LOCKS



BOA Key Removable Core Ratchet locks are available in the industry standard 54G Keyway with 6 tumblers. Five different mounting possibilities make this ratchet lock very versatile. The BOA Ratchet Lock can be used on plexiglass, wood, metal or glass sliding doors.

Base Part#: **RLD XXXX**

* Parenthesis dimensions are in mm.



RLD XXXX

XXXX = RATCHET BARS

R250 = Regular Ratchet Bar for glass doors with a max thickness of 1/4"

R380 = Regular Ratchet Bar for glass doors with a max thickness of 3/8"

A750 = Extended Ratchet Bar for glass doors with a max thickness of 3/4"

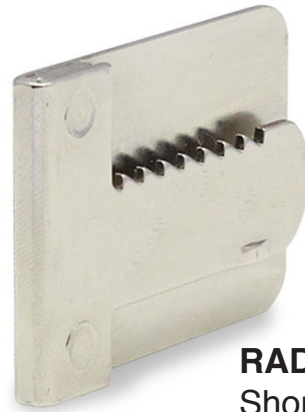
RADH = Small adhesive mounted plate (1-1/2" x 2")

RADE = Large adhesive mounted plate (1-1/2" x 3-7/8")

RATCHET BARS



R250
Small Ratchet Bar 1/4"



RADH
Short Ratchet Plate
1-1/2" x 2"



R375
Regular Ratchet Bar 3/8"



RADE
Long Ratchet Plate
1-1/2" x 3-7/8"



R750
Extended Ratchet Bar 3/4"