

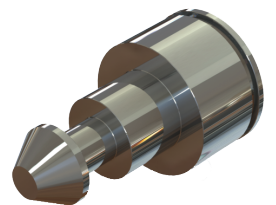
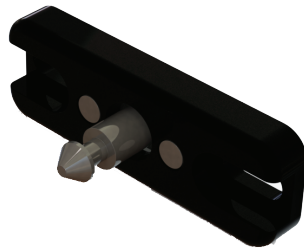


## Features:

- Based on the internal chip system, you can program the lock very easily without a computer or software, just by using a programming card.
- Card range through 3/4" wood or glass. (Reader function is hindered by metallic materials. Call for details).
- Based on a proxy system, up to 50 key cards can be activated for each lock.
- Up to 30,000 openings on battery power (Power transformer option also available).
- Simple "invisible" installation. Glass mounting available with optional mounting kit.

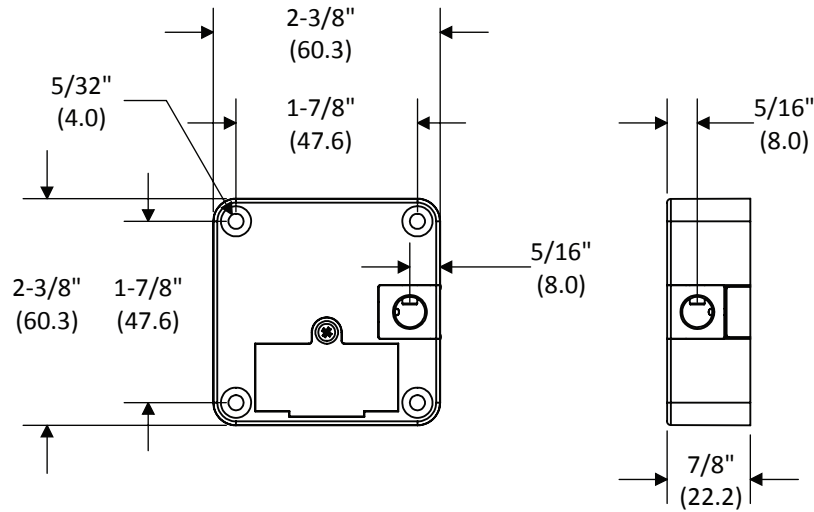
## Technical Specifications:

- Maximum counter pressure: 5.5 lb (2.5 kg)
- Temperature range: 36-104°F (2-40°C)



## 18-FPS-SOLO

Internal Antenna reads through up to ~1" (25 mm) non-conductive material.



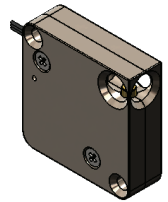
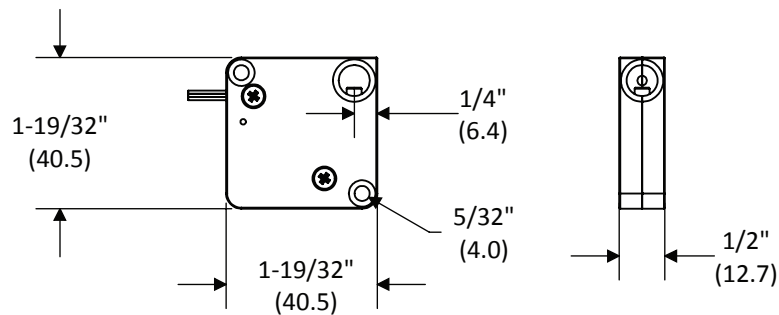
## 18-FPS-BEETLE-00 (Use with FPS-SOLO units)

18-FPS-BEETLE-03 (3V - Version)

18-FPS-BEETLE-12 (12V - Version)

"03" and "12" versions for custom applications

Wire Length 29.53" (75 cm)

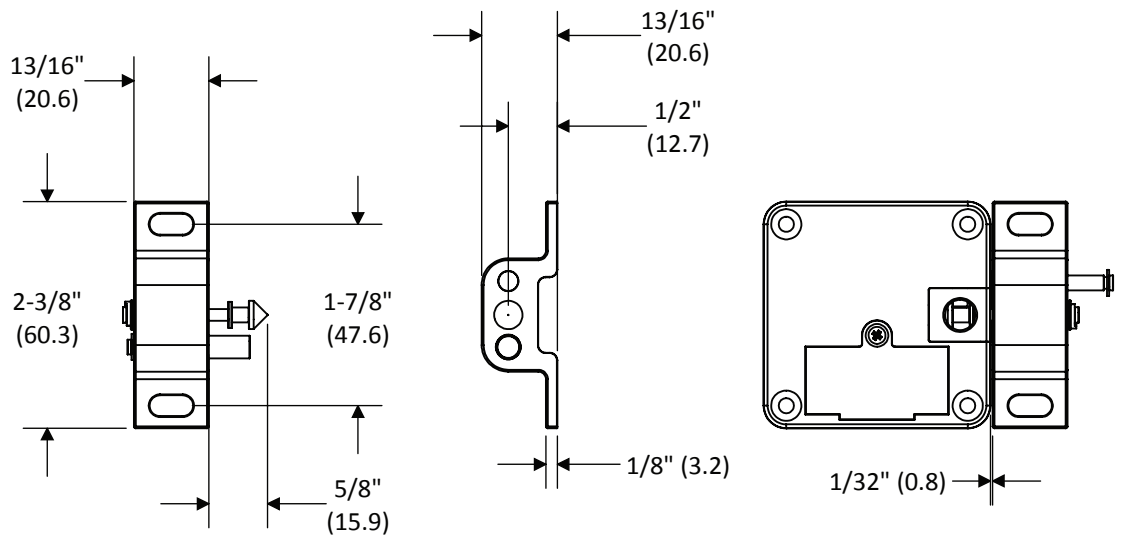


All dimensions are nominal. For best fit call for a sample.  
Dual-Dimensions in parentheses are in millimeter (mm).

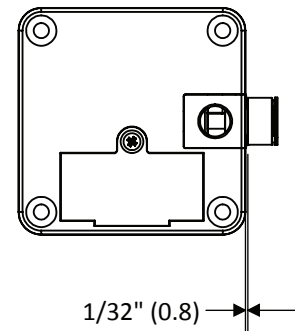
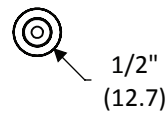
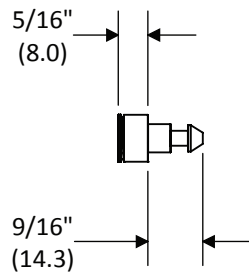
## 18-AC-PSH-HVYDTY-LTCH

Stainless steel pin with ~440 lbs (200 kg) breaking point.

Integrated push pin automatically opens light doors/drawers.



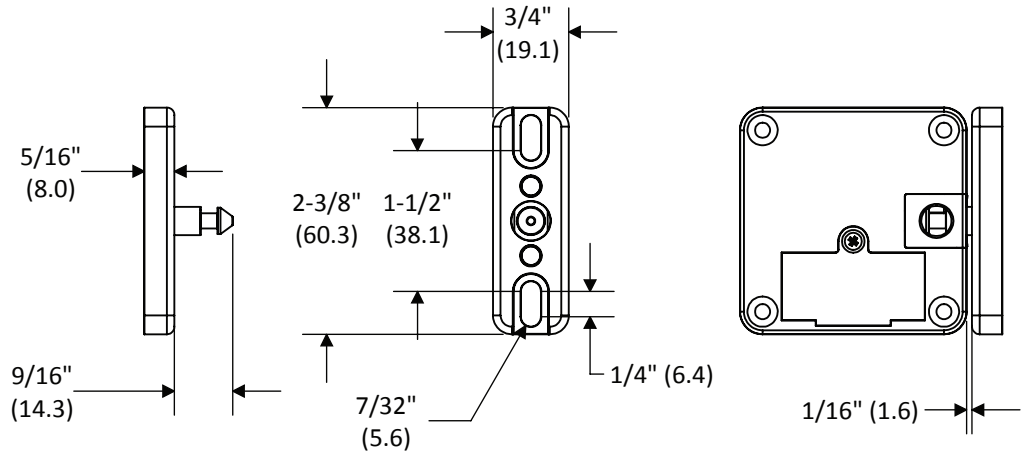
## 18-AC-MINI-LTCH



All dimensions are nominal. For best fit call for a sample.  
Dual-Dimensions in parentheses are in millimeter (mm).

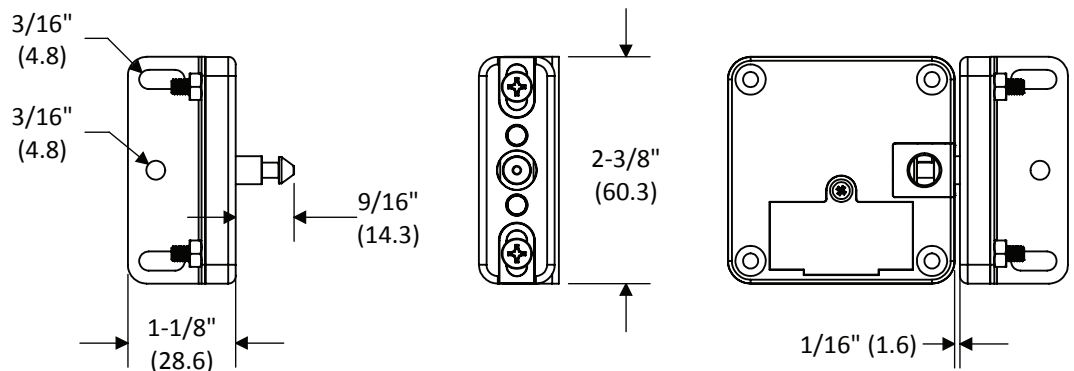
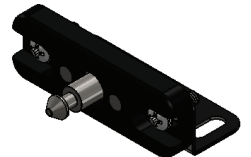
## 18-AC-FRNT-LTCH

Locking pin with ~77 lbs (35 kg) breaking point. The flexible pin allows a tolerance of +/- .12" (3 mm).

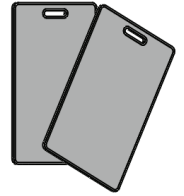


## 18-AC-3D-ADJ-LTCH

Allows for up to .24" (6 mm) of adjustment in 3-dimensions for ease of installation. Integrated spring is used as a door pusher for lightweight doors/drawers.



All dimensions are nominal. For best fit call for a sample.  
Dual-Dimensions in parentheses are in millimeter (mm).



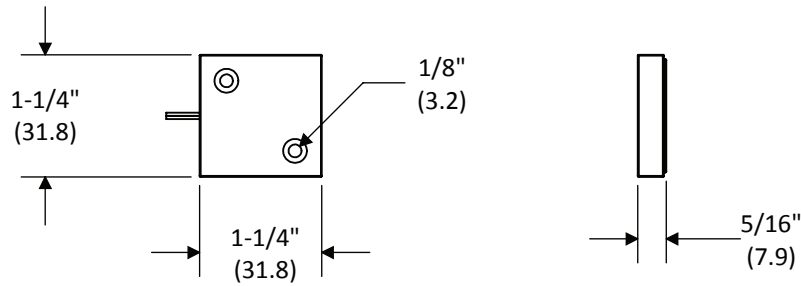
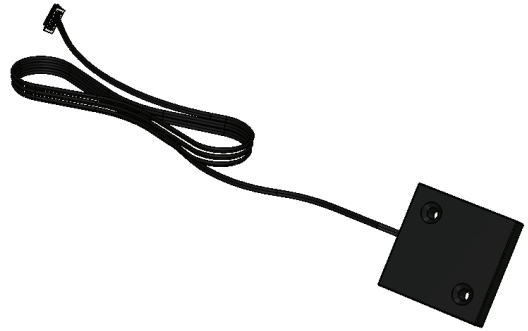
Note: Option cards come in pairs to activate or deactivate the option.

Part #	Description
18-CRD-FOB	Operating key fob with a maximum range of 20mm (.79"). Key fob is small in size with a diameter ~30mm (1.18").
18-CRD-OP	Standard operating card (single card).
18-CRD-OP-SET-P	Standard operating card set. Comes in a shadow pair the second card is meant to be kept in case a lost or stolen key needs to be removed from the programming.
18-CRD-OP-XR	Long range operating card (single card)
18-CRD-WRISTBND -BLK	Operating key fob attached to a wristband with a maximum range of 20mm (.79").
18-PRG-CRD	Programming card used to initialize lock units and to authorize user and option cards.
18-OPT-CRD-GYM	Free address - User can decide which lock to gain access to. The lock will remain open and any card will lock it. When the lock is opened, the lock will reset to accept any key for locking.
18-OPT-CRD-7SEC-DLY	Change the delay of the lock before it re-engages automatically from 3 seconds (default) to 7 seconds.
18-OPT-CRD-SOUND	Deactivates all sounds made by the locking unit.
18-OPT-CRD-PROPDELAY	Activate the internal alarm when the door is propped open for over 25 seconds. The alarm deactivates by presenting the card credential or closing the cabinet.
18-OPT-CRD-BOLT	Deactivates the automatic locking function. Bolt option when activated will leave the unit in the open position until the credential is presented to lock.

**18-READ-EXT-ANT**

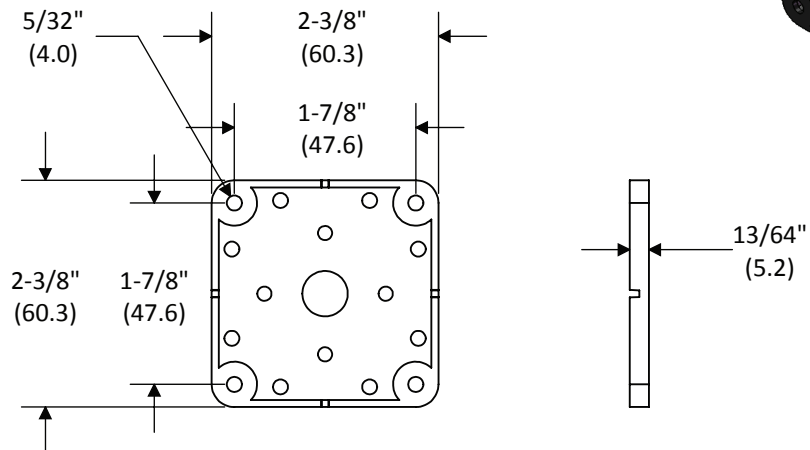
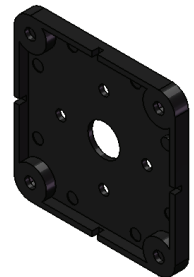
Auxillary external antenna connects directly to NINJA unit (18-LOCK).

Wire Length 5' (1.5 m)



**18-AC-SPCR-PLT**

Spacer plate prevents wires from being crushed against the mounting surface.

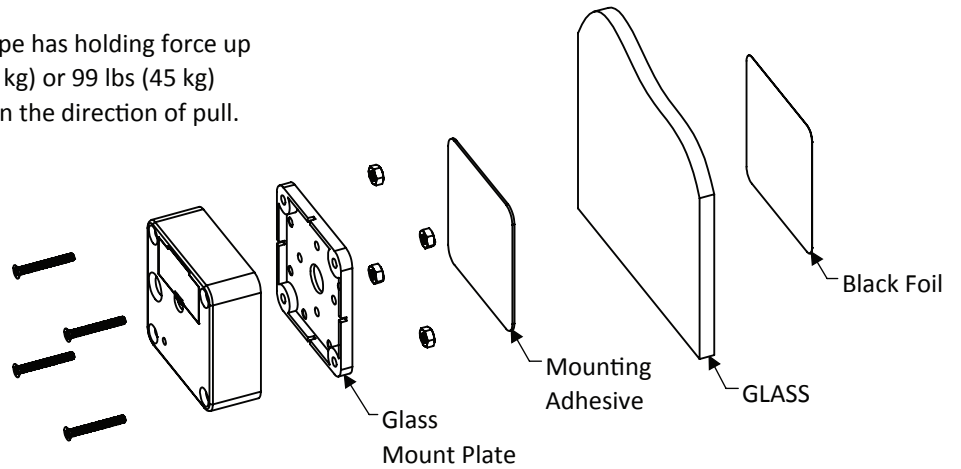


All dimensions are nominal. For best fit call for a sample.  
Dual-Dimensions in parentheses are in millimeter (mm).

## 18-GLASS-MOUNT

Mount FPS SOLO Lock unit to glass with the glass mount kit. Mounting plate will add ~13/64" (5.2 mm).

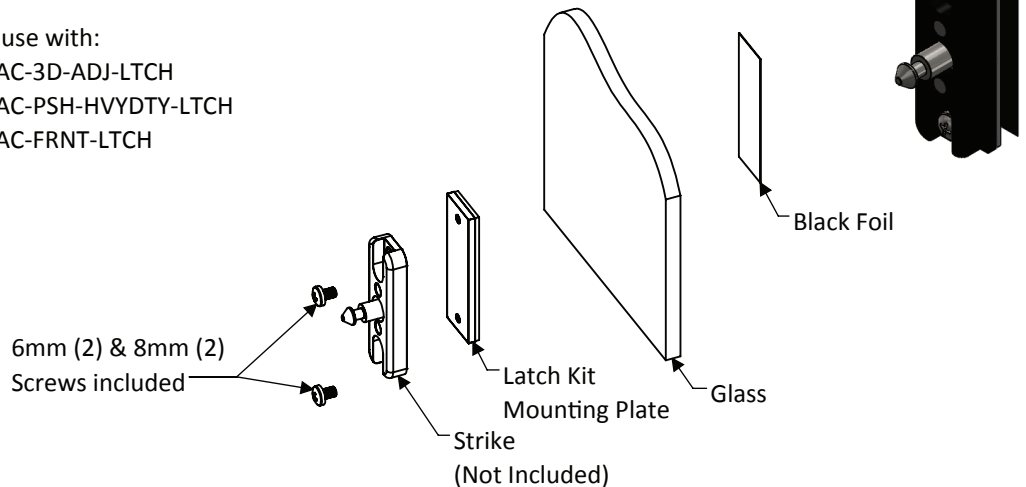
Mounting tape has holding force up to 55 lbs (25 kg) or 99 lbs (45 kg) depending on the direction of pull.



## 18-GLASS-LATCH-KIT

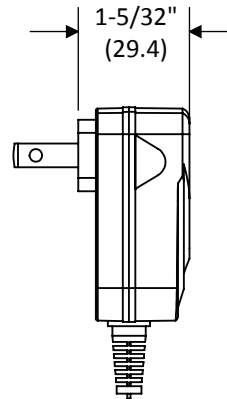
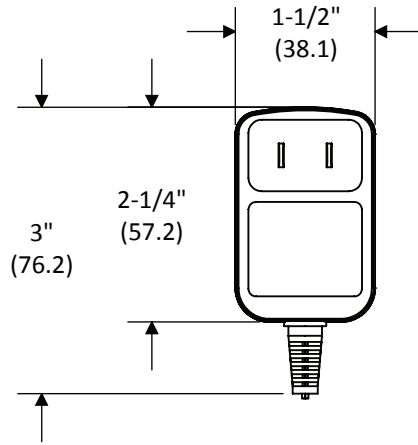
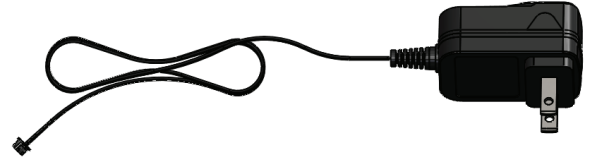
Set includes mounting plate, double-sided adhesive tape, black foil, and 4 screws.

For use with:  
18-AC-3D-ADJ-LTCH  
18-AC-PSH-HVYDTY-LTCH  
18-AC-FRNT-LTCH



All dimensions are nominal. For best fit call for a sample.  
Dual-Dimensions in parentheses are in millimeter (mm).

# FPS Electronic Lock



**18-TRN**  
Eliminate the need for battery power or use in conjunction with the battery.

Wire Length ~60" (14.5 m).

18-EXT-CABLE-5 (5' / 1.5 m)  
18-EXT-CABLE-8 (8.2' / 2.5 m)

Extension Cables are used to connect FPS SOLO units together.



**18-BATT**  
Battery for FPS SOLO Lock.



All dimensions are nominal. For best fit call for a sample.  
Dual-Dimensions in parentheses are in millimeter (mm).



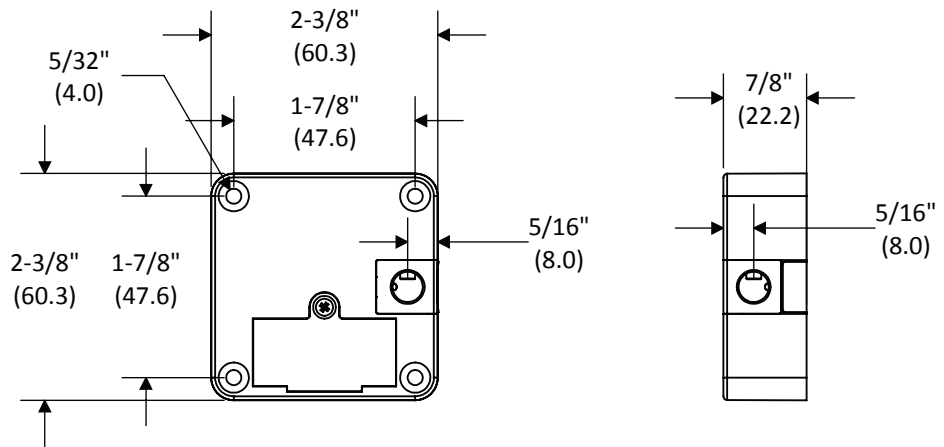
## 18-FPS-SOLO-S

From the outside this lock is identical to the standard 18-FPS-SOLO but without the RFID reader.

If you connect this lock to a FPS SOLO lock, the SOLO-S will open and close at the same time as the FPS SOLO unit. Using the three plugs, one 18-FPS-SOLO-S can be connected to additional units or the power transformer can be connected.



The extension cable is already included.



## 18-FPS-SOLO-RELAY

Solo-Relay: 125 kHz Access Control Unit

The integrated relays will provide you with a potential-free contact.

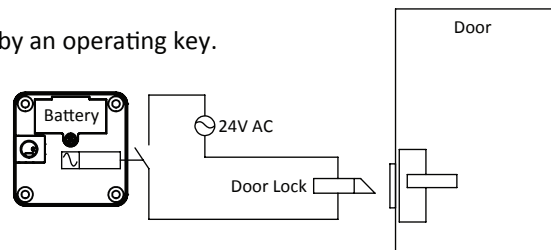
Current max: 1A

Contact voltage AC: 125V nominal

Contact voltage DC: 30V nominal

The relay switch will close when activated by an operating key.

After 3 seconds the relay will open.



All dimensions are nominal. For best fit call for a sample.  
Dual-Dimensions in parentheses are in millimeter (mm).