

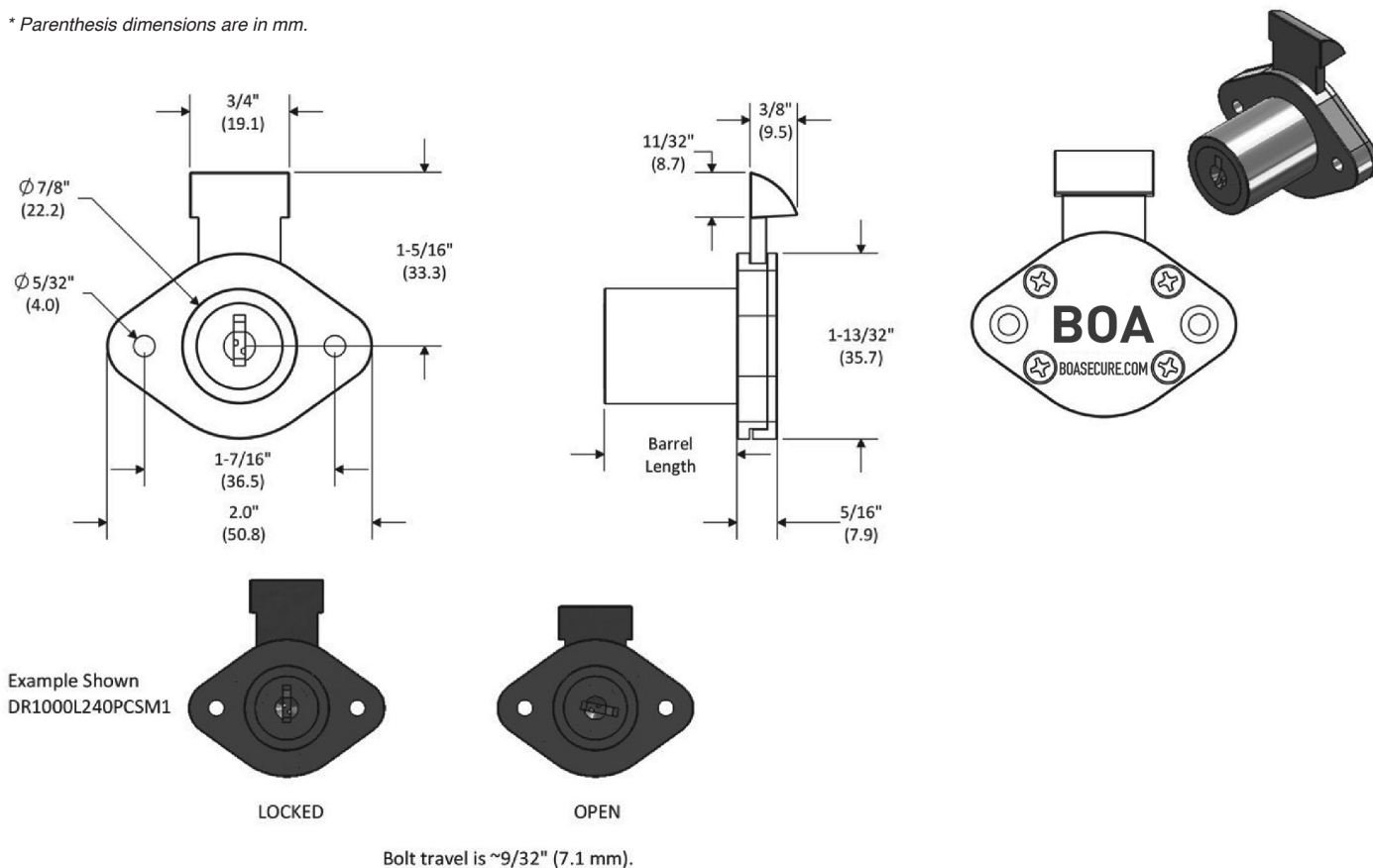
SPRING BOLTS



BOA Key Removable Core Latchbolts are available in the industry standard 54G Keyway with 6 tumblers. Latchbolts are available in 1" and 1-1/2" barrel length dimensions. Latchbolts are used on wood or metal applications. Optional accessories available.

Base Part#: **SPRD XXXX L240 XX X X X**

* Parenthesis dimensions are in mm.



SPRD **XXXX** L240 **XX** **X** **X**

XXXX = BARREL LENGTH

1000 = 1" Barrel length

1500 = 1-1/2" Barrel length

XX = METAL FINISH

PN = Polished Nickel (Standard)

SC = Satin Nickel

BL = Black

X = STAMP LOCK

S = Stamp lockface or lock (Standard)

B = Blank (no stamping)

X = MASTERKEYING

M = Core or lock is masterkeyed

R = Regular (non-masterkeyed)